

NEW!
April 2018



Lifting Column SQ

Art. Nr.: 907.00003

The housing of the lifting columns **SQ** is made out of a colorless anodized aluminium profile with dimension 45x45 mm. The steel piston pipe is guided in a plastic bushing and is moved by an inline spindle drive.

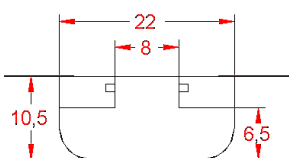
Up to 4 lifting columns can be connected to one control box and are operated synchronous with a hand switch.

Application

Work stations, machine and furniture industry

The system **SQ** is used for height adjustable assembly tables, laboratory workstations and generally in the office and mechanical industry.

The T-slots on two sides (width 8mm) enable the mounting of crossbars, clipboards and platform structures.



T-slot nuts:
142.00217 (with M6 thread)
142.00218 (with M8 thread)

Technical Data Lifting Column SQ

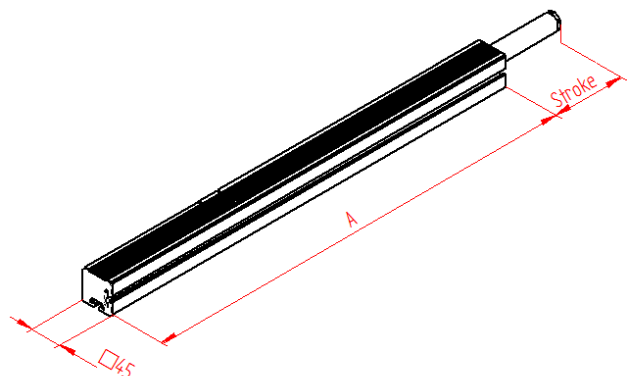
High loads with small dimension

Max. lifting load per SQ	1500 N
Max. pulling load per SQ	1500 N
Max. static bendingmoment	Mb = 200 Nm
Max. dyn. bendingmoment	Mbdyn = 80 Nm
Stroke length	300 or (400 mm)
Fitting length A	630 or (730 mm)

Technical Data Lifting System SQ

Plug & Play

1-4 SQ per control box plus 1x hand switch	
Max. lifting load 4-leg-system	6000 N
Lifting speed	9 mm/s



Download CAD data at www.ergoswiss.com

Frame SQ-4

Art. Nr.: 907.3xxxx

The frame **SQ-4** consists of four lifting columns SQ which are arranged in a rectangle connected by cross bars. Each lifting column SQ is equipped with an adjustable rubber foot. A table plate can be mounted directly to cross bars.

- Incl. 1 control box and 1 manual control switch

Application:

- Ideal for simple workstations

