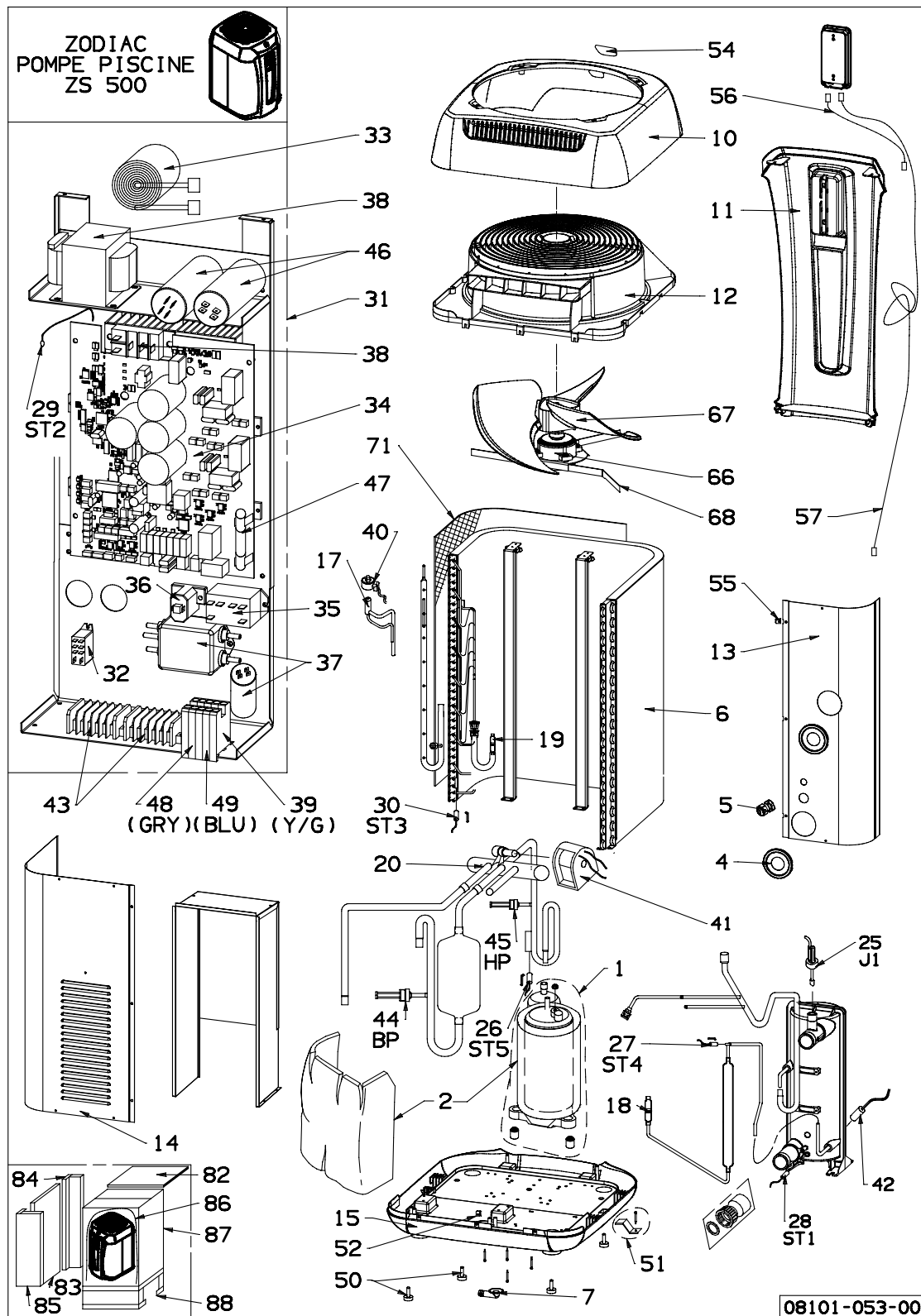




# ZS500

Spare parts



08101-053-00

Accessories	
Condensate tray	R07240
Remote control module	WH000201
Local facility kit	WH000202
Winter cover	R05954
Cleaning Kit PAC	WMA03491

Position	Description	Reference ZS500
<b>Electrical spare parts</b>		
25	Flow switch	B0052400A
26 27 28 29 30	Temperature sensor ST1, 2, 3, 4 and 5	R06740
31	Complete electrical set without pad MD4	B0203200A
	Complete electrical set without pad MD5	B0052100A
	Complete electrical set without pad MD8	B0203300A
34	A1 Main electronic card set MD4	R07146
	A1 Main electronic card set MD5	R07147
	A1 Main electronic card set MD8	R07148
	A1 Card fuse 6,3 x 32 25A	B0050600A
56	Communication wire RJ11/45 2M	B0051900A
37	EMC Filter 250-16A MD4-5	B0050900A
	EMC Filter 250-25A MD8	WTC04000
32	Relay 12A 230V 2 changeover contacts	B0050800A
33	Filter inductor 30KHZ 1,5mH 22A	B0050700A
42	condenser resistance 55W L750	B0051000A
	Pad (Display)	WVH00001
	Lexan Pad ZS500	WZD00001
66	Motor fan	B0050300A
<b>Refrigerating spare parts</b>		
1	Compressor ZS500 MD4-5	B0050500A
	Compressor ZS500 MD8	B0185300A
6	Evaporator battery MD4	M0126100A
	Evaporator battery MD5-8	M0042500A
17	Expansion valve UKV MD4	WTC03927
	Expansion valve UKV MD5-8	WTC03928
40	Expansion valve coil	B0183700A
20	4-way valve MD4-5	WTC03989
	4-way valve MD8	V0144700A
41	4-way coil	WTC03990
44	Pressure switch BP	B0051200A
45	Pressure switch HP	B0051100A
	Condensor MD4-5	R06954
	Condensor MD8	R06957
<b>Sheet metal</b>		
10	Top panel	A0240800A
11	Front panel	A0240500A
12	Grille	A0240700A
13	Fixed rear panel	M0041200A
14	Removable rear panel	M0041300A
15	Base plate	A0240600A
<b>Other</b>		
2	Compressor sound insulation MD4-5	T0041900A
	Compressor sound insulation MD8	T0067500A
7	Condensate drain	WTC02971
50	Anti-vibration mounts	A0261100A
67	Propeller	WTC03955
68	Fan motor bracket MD4	M0132900A
	Fan motor bracket MD5-8	M0041400A
	Condenser support bracket set	R06415
71	Grey protective evaporator grille	A0261000A
	Hydraulic connector - condenser outlet with tapping + gasket	R06110
	Hydraulic connector - condenser inlet + gasket	R06113
	Set of 2 half-union connectors + gaskets 40/49	W20RDU