

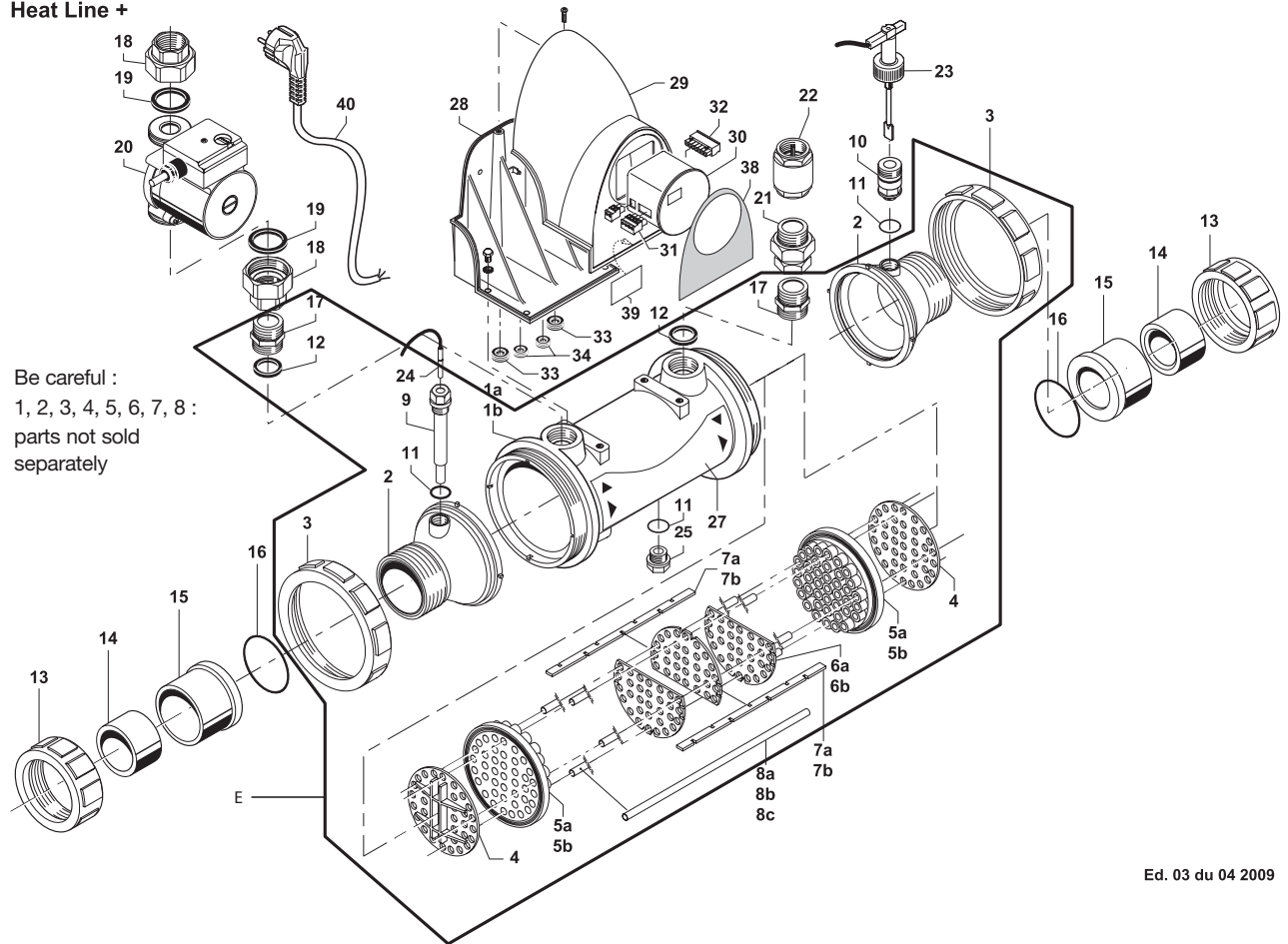


Heat Line + / EC/K / EC/C

Spare parts

HEAT LINE +

Heat Line +



Be careful :
1, 2, 3, 4, 5, 6, 7, 8 :
parts not sold
separately

Ed. 03 du 04 2009

Position	Description	Reference
Electrical spare parts		
20	Circulator 2 m ³ 25/40 (EC/C, EC/K, Heat Line+)+ set of 2 connection pieces 26/34 and joints	R07122
19 18	Set of 2 connection pieces 26/34 and joints	WGR01540
23	Noryl flow switch	WSK02022
24	Digital thermostat sensor PTC	WCE01311
30	Timed regulator ECP200 or EVX 402 (Heat Line+)	WCE02684
38	Sticker for the electrical box front panel	WSR02735
23 10 42	Electric box (Heat Line+) and height adjuster with flow switch	W49COFKT
A	Timed regulator (ECP233) Heat Line boxed) since 1997	WCE01308
B	Aquastat 16/40° with glove finger 15/21M (basic HEAT LINE)	W20KD02
C	Regulation thermostat 16/40° C bulb Ø 10 mm	WEG01404
D	Regulation thermostat 16/40 bulb Ø 6 mm	WEG01405
	Regulator FK151 (before 1997)	WCE02925
Others		
11 / 9	Threaded polyamide glove finger 15/21 male + joint	R07236
11 / 10	Height adjuster for flow switch + joint	R07233
16 15 14 13	2 1/2 union connections Ø 63 + adjusters Ø 50 (Heat Line)	W40RDU
22	Check valve 26/34	WCL03431
11 25	Cap 15/21	WIB01609
	Heat Line cover with sticker	WIB02695
E	20 kW TITANIUM tank without valve 26/34	WKITCUVE20KT
E	40 kW TITANIUM tank without valve 26/34	WKITCUVE40KT
E	70 kW TITANIUM tank without valve 26/34	WKITCUVE70KT
	Flat glove finger + Joint + Nut	WKITDGT
	Cap 20/27 Female	WNS01751
	Joint 20/27	WNS01780

* For all orders for spare parts please give the serial number of the exchanger.

