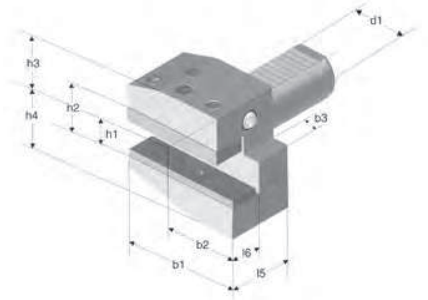


## RADIAL TOOL HOLDER VDI DIN 69880 - C5010

### ITEM: B1

Radial tool holder DIN 69880, right-hand, short, external coolant adduction.



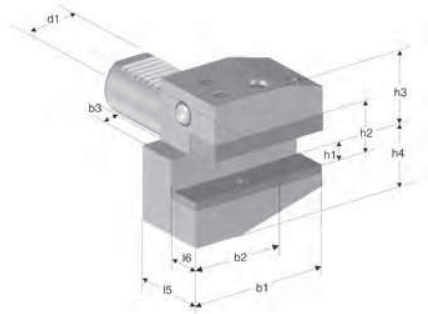
Tech. Code	C01 Euro	d1 mm	b1 mm	b2 mm	b3 mm	h1 mm	h2 mm	h3 mm	h4 mm	l5 mm	l6 mm
C501040	137,00	40	85	42.5	12.5	25/20	34	32.5	48	44	22

Note: On request with 25 diameter shank (DIN 69880), tool holder housing in inches.

## RADIAL TOOL HOLDER VDI DIN 69880 - C5011

### ITEM: B2

Radial tool holder DIN 69880, left-hand, short, external coolant adduction.

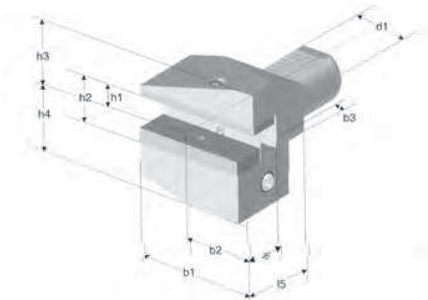
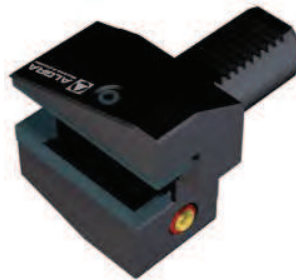


Tech. Code	C01 Euro	d1 mm	b1 mm	b2 mm	b3 mm	h1 mm	h2 mm	h3 mm	h4 mm	l5 mm	l6 mm
C501130	136,00	30	70	35	10	20/16	29	28	38	40	18
C501140	156,00	40	85	42.5	12.5	25/20	34	32.5	48	44	22

## UPSIDE DOWN RADIAL TOOL HOLDER VDI DIN 69880 - C5020

### ITEM: B3

Radial tool holder DIN 69880, right-hand, upside down, short, external coolant adduction.



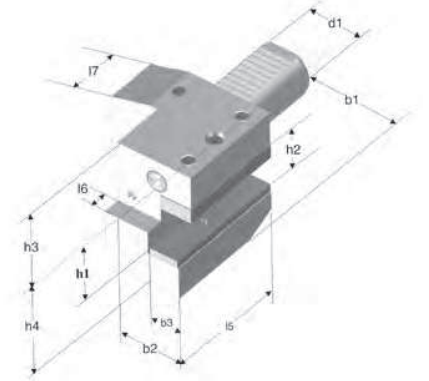
Tech. Code	C01 Euro	d1 mm	b1 mm	b2 mm	b3 mm	h1 mm	h2 mm	h3 mm	h4 mm	l5 mm	l6 mm
C502030	139,00	30	70	35	10	20/16	29	28	38	40	18
C502040	162,00	40	85	42.5	12.5	25/20	34	32.5	48	44	22

Note: On request with 25 diameter shank (DIN 69880), tool holder housing in inches.

## AXIAL TOOL HOLDER VDI DIN 69880 - C5030

### ITEM: C1

Axial tool holder DIN 69880, right-hand, external coolant adduction.



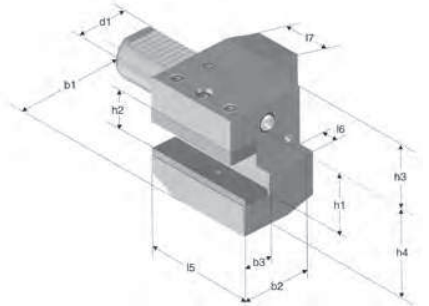
Tech. Code	C01 Euro	d1 mm	b1 mm	b2 mm	b3 mm	h1 mm	h2 mm	h3 mm	h4 mm	l5 mm	l6 mm	l7 mm
C503040	169,00	40	85	42.5	22	25/20	34	32.5	48	85	12.5	30

Note: On request with 25 diameter shank (DIN 69880), tool holder housing in inches.

## AXIAL TOOL HOLDER VDI DIN 69880 - C5031

### ITEM: C2

Axial tool holder DIN 69880, left-hand, external coolant adduction.

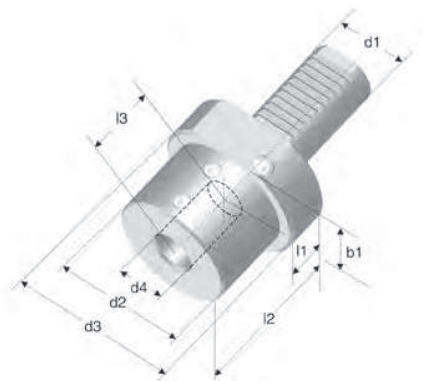


Tech. Code	C01 Euro	d1 mm	b1 mm	b2 mm	b3 mm	h1 mm	h2 mm	h3 mm	h4 mm	l5 mm	l6 mm	l7 mm
C503130	165,00	30	76	41	18	20/16	29	28	38	70	10	30
C503140	169,00	40	90	47.5	22	25/20	34	32.5	48	85	12.5	

## AXIAL TOOL HOLDER VDI FOR DRILLING DIN 69880 - C5060

### ITEM: E1

Tool holder for drilling tools, internal coolant.



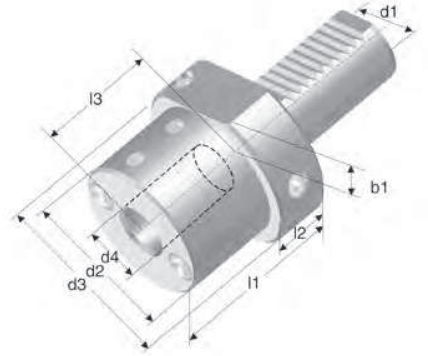
Tech. Code	C01 Euro	d1 mm	d2 mm	d3 mm	d4 mm	b1 mm	l1 mm	l2 mm	l3 mm
C50604020	123,00	40	40	83	20	32.5	67	22	54
C50604025	123,00		45		25		59		
C50604032	123,00		52		32		63		
C50604040	123,00		60		40		73		

Note: On request with 25 diameter shank (DIN 69880), tool holder housing in inches.

## AXIAL TOOL HOLDER VDI FOR BORING BAR DIN 69880 - C5070

### ITEM: E2

Tool holder for boring bar DIN 69880, external coolant.



Tech. Code	C01 Euro	d1 mm	d2 mm	d3 mm	d4 mm	b1 mm	l1 mm	l2 mm	l3 mm
C5070408	133,00	40	55	83	8	32.5	75	22	61
C50704010	133,00				10				
C50704012	133,00				12				
C50704016	133,00				16				
C50704020	133,00				20				
C50704025	133,00				25				
C50704032	133,00				32				
C50704040	146,00	83		40	90	-	76		

Note: On request with 25 diameter shank (DIN 69880), tool holder housing in inches.

## ER/EX COLLET CHUCKS VDI - C5080

### ITEM: E4

Collet holder DIN 69880, for collets of the type ER/EX DIN 6499/B



Tech. Code	C01 Euro	d1 mm	d2 mm	d3 mm	d4 mm	b1 mm	l1 mm	l2 mm	ER
C50803032	176,00	30	50	68	2.5±20	28	65	22	32
C50804032	194,00	40		83		32.5			
C50805032	217,00	50		98		35			

#### ACCESSORIES:

- Collets see page C.47

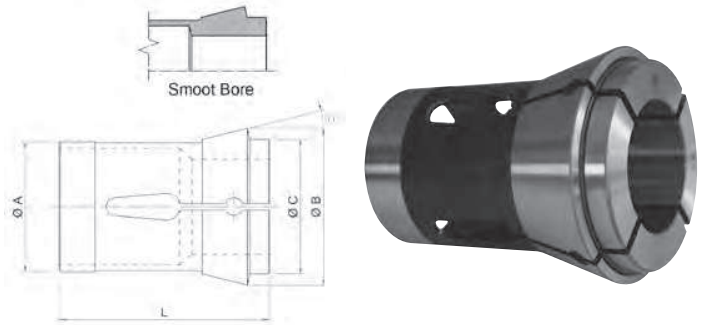
Note: On request with 25 diameter shank (DIN 69880), tool holder housing in inches.

## CLTec BA SINGLE CONE COLLETS WITH SMOOTH BORE - C5084

NEW

Impulse type collet in galvanized steel, tempered and adjusted to be used in chucks either for the main head (main spindle) or the counter head (sub spindle).  
For milling bars and reinforcement. Model with smooth bore.

Tech. Code	C01 Euro	mm	A mm	B mm	C mm	L mm	$\alpha$
C508442T03	76,00	3 - 42	42	55	42	94	15°
C508452T03	94,00	3 - 52	58	70	60		
C508460T03	122,00	3 - 60	66	84	73	110	
C508470T03	185,00	3 - 70	80	98	85	115	

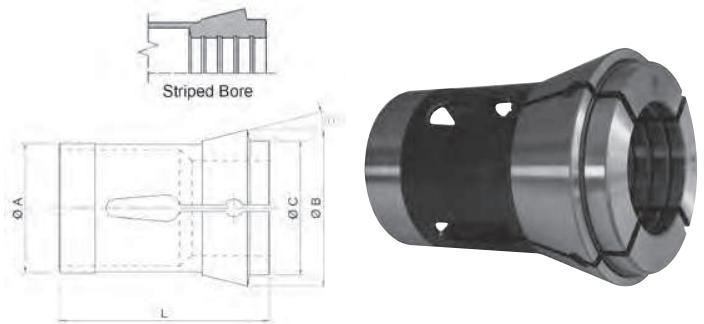


## CLTec BA SINGLE CONE COLLETS WITH STRIPED BORE - C5085

NEW

Impulse type collet in galvanized steel, tempered and adjusted to be used in chucks either for the main head (main spindle) or the counter head (sub spindle).  
For milling bars and reinforcement. Model with striped bore.

Tech. Code	C01 Euro	mm	A mm	B mm	C mm	L mm	$\alpha$
C508542T03	62,00	3 - 42	42	55	42	94	15°
C508552T03	80,00	3 - 52	58	70	60		
C508560T03	108,00	3 - 60	66	84	73	110	
C508570T03	170,00	3 - 70	80	98	85	115	

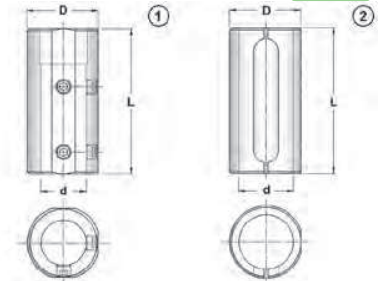


## CLTec UNIVERSAL REDUCTION SLEEVES - C5110

+ COD

ITEM: 19 DIN STANDARD

Tech. Code	C01 Euro	D mm	d mm	L mm	Figure	Tech. Code	C01 Euro	D mm	d mm	L mm	Figure
C5110208	61,00	20	8	60	1	C51103220	64,00	32	20	70	1
C51102010	61,00		10			C51103225	74,00		25		2
C51102012	61,00		12			C51104016	69,00	40	16	80	1
C5110258	61,00	8	C51104020	69,00		20					
C51102510	61,00	10	C51104025	69,00		25					
C51102512	61,00	12	C51105012	77,00		50	12	90	1		
C5110328	64,00	8	C51105016	77,00	16						
C51103210	64,00	10	C51105020	77,00	20						
C51103212	64,00	12	C51105025	77,00	25						
C51103216	64,00	16	C51105032	77,00	32						



## CLTec HEADED REDUCTION SLEEVES - C5115

+ COD

ITEM: BU2

Tech. Code	C01 Euro	D mm	d mm	D1 mm	L mm	L1 mm	Fig.	Tech. Code	C01 Euro	D mm	d mm	D1 mm	L mm	L1 mm	Fig.
C5115256	67,00	25	6	33	60	65	1	C51154016	76,00	40	16	50	105	110	3
C5115258	67,00		8					C51154020	77,00		20				
C51152510	68,00		10				C51154025	76,00	25	4					
C51152512	67,00	12	C51154032*	77,00	32										
C51152516*	67,00	16	C51155012	83,00	50	60	125	130	3						
C5115326	71,00	6	C51155016	83,00						16					
C5115328	71,00	8	C51155020	83,00						20					
C51153210	71,00	10	C51155025	83,00	25	4									
C51153212	71,00	12	C51155032	83,00	32										
C51153216	71,00	16	C51155040*	83,00	40	3									
C51153220	73,00	20	C51156025	158,00	25										
C51153225*	72,00	25	C51156032	158,00	32	3									
C5115408	76,00	8	C51156040	158,00	40										
C51154010	76,00	10	C51156050	158,00	50	4									
C51154012	77,00	12													

\* Bush with carving

