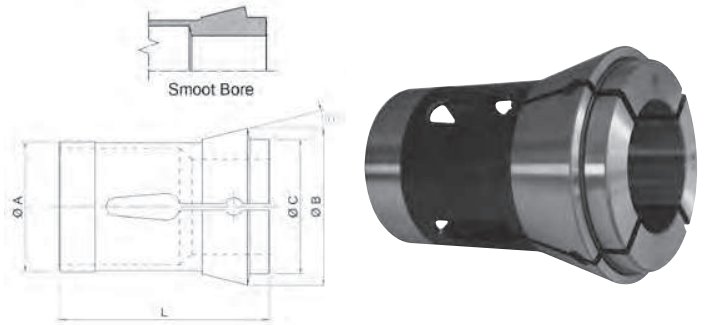


CLTec BA SINGLE CONE COLLETS WITH SMOOTH BORE - C5084

NEW

Impulse type collet in galvanized steel, tempered and adjusted to be used in chucks either for the main head (main spindle) or the counter head (sub spindle).
For milling bars and reinforcement. Model with smooth bore.

Tech. Code	C01 Euro	mm	A mm	B mm	C mm	L mm	α
C508442T03	76,00	3 - 42	42	55	42	94	15°
C508452T03	94,00	3 - 52	58	70	60		
C508460T03	122,00	3 - 60	66	84	73	110	
C508470T03	185,00	3 - 70	80	98	85	115	

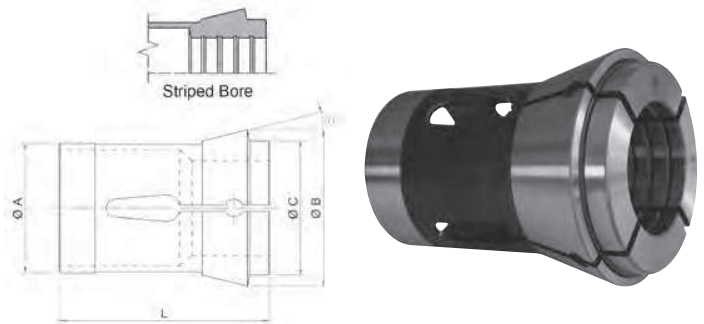


CLTec BA SINGLE CONE COLLETS WITH STRIPED BORE - C5085

NEW

Impulse type collet in galvanized steel, tempered and adjusted to be used in chucks either for the main head (main spindle) or the counter head (sub spindle).
For milling bars and reinforcement. Model with striped bore.

Tech. Code	C01 Euro	mm	A mm	B mm	C mm	L mm	α
C508542T03	62,00	3 - 42	42	55	42	94	15°
C508552T03	80,00	3 - 52	58	70	60		
C508560T03	108,00	3 - 60	66	84	73	110	
C508570T03	170,00	3 - 70	80	98	85	115	

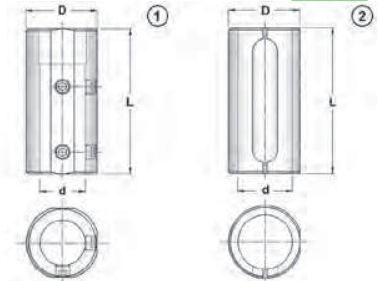


CLTec UNIVERSAL REDUCTION SLEEVES - C5110

+ COD

ITEM: 19 DIN STANDARD

Tech. Code	C01 Euro	D mm	d mm	L mm	Figure	Tech. Code	C01 Euro	D mm	d mm	L mm	Figure
C5110208	61,00	20	8	60	1	C51103220	64,00	32	20	70	1
C51102010	61,00		10			25	2				
C51102012	61,00		12			40	80	1	C51104016	69,00	16
C5110258	61,00	8	20								
C51102510	61,00	10	25								
C51102512	61,00	12	50	90	1	C51105012	77,00	12			
C5110328	64,00	8				16					
C51103210	64,00	10				20					
C51103212	64,00	12	32	70	1	C51105020	77,00	20			
C51103216	64,00	16				25					
						C51105025	77,00	25			
						C51105032	77,00	32			



CLTec HEADED REDUCTION SLEEVES - C5115

+ COD

ITEM: BU2

Tech. Code	C01 Euro	D mm	d mm	D1 mm	L mm	L1 mm	Fig.	Tech. Code	C01 Euro	D mm	d mm	D1 mm	L mm	L1 mm	Fig.
C5115256	67,00	25	6	33	60	65	1	C51154016	76,00	40	16	50	105	110	3
C5115258	67,00		8					20							
C51152510	68,00		10					25							
C51152512	67,00	12	40	85	90	90	3	C51154025	76,00	50	32	60	125	130	3
C51152516*	67,00	16						12							
C5115326	71,00	6						16							
C5115328	71,00	8	32	40	85	90	3	C51155012	83,00	60	12	70	135	140	3
C51153210	71,00	10						16							
C51153212	71,00	12						20							
C51153216	71,00	16	40	50	105	110	3	C51155016	83,00	70	16	80	140	4	
C51153220	73,00	20						20							
C51153225*	72,00	25	50	60	90	90	3	C51155020	83,00	80	20	90	140	4	
C5115408	76,00	8						16							
C51154010	76,00	10						20							
C51154012	77,00	12	60	70	105	110	3	C51155032	83,00	90	32	100	140	4	
								25							
			32												
			40												
			50												

* Bush with carving

