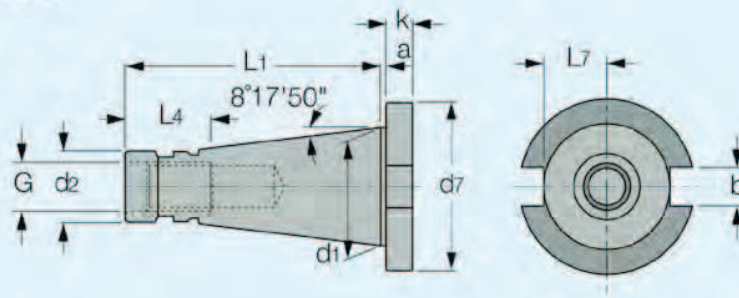


Toolholder Standard



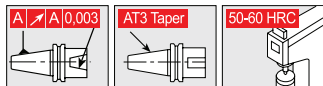
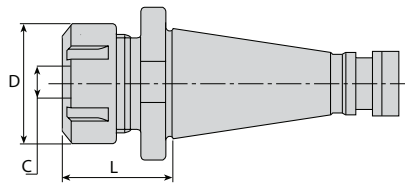
Shank	$a \pm 0.2$	$b (H_{12})$	d_1	d_2	G	d_7	$K \pm 0.15$
SK 30	1.6	16.1	31.75	17.4	M12	50	8
SK 40	1.6	16.1	44.45	25.3	M16	63	10
SK 50	3.2	25.7	69.85	39.6	M24	97.5	12

Shank	L_1	L_4	L_7 MAX	Taper AT3
SK 30	35	19.1	47.80	0.002
SK 40	35	19.1	68.40	0.003
SK 50	35	19.1	101.75	0.004



DIN 2080 AND CYLINDRICAL

CLtec ER COLLET CHUCKS DIN 2080 - C3010



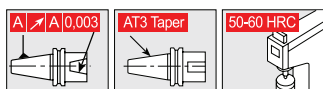
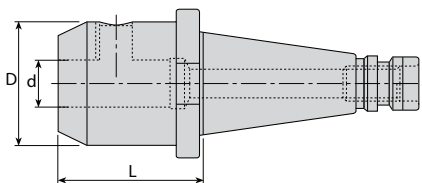
Tech. Code	C01 Euro	Description	Capacity	Ring nut	D mm	L mm
C301043270	78,00	ISO40 ER32 L70	2 - 20	Standard	50	70
C301044070	107,00	ISO40 ER40 L70	3 - 30		63	
C301053270	150,00	ISO50 ER32 L70	2 - 20	Standard	50	70
C301054075	162,00	ISO50 ER40 L75	3 - 30		63	75

- RING NUTS Page C.63

- COLLETS ER Page C.47

- WRENCH Page C.69

CLtec WELDON CHUCKS DIN 2080 - C3040

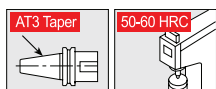
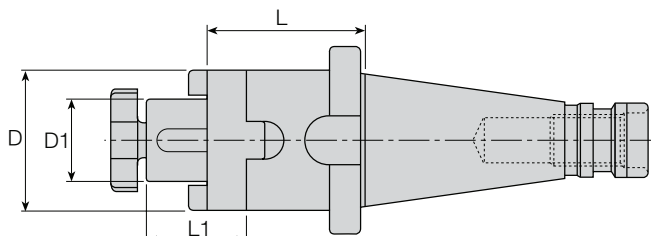


Tech. Code	C01 Euro	Description	d mm	D mm	L mm
C304041663	61,00	ISO40 WE16 L63	16	48	63
C304042063	61,00	ISO40 WE20 L63	20	52	
C304042590	75,00	ISO40 WE25 L90	25	65	
C304052063	97,00	ISO50 WE20 L63	20	52	63
C304052580	109,00	ISO50 WE25 L80	25	65	80
C304053285	131,00	ISO50 WE32 L85	32	72	85

- DOWEL Page C.68

- TUBE Page C.68

CLtec COMBINATION FACE MILL ADAPTERS DIN 2080 - C3090



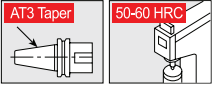
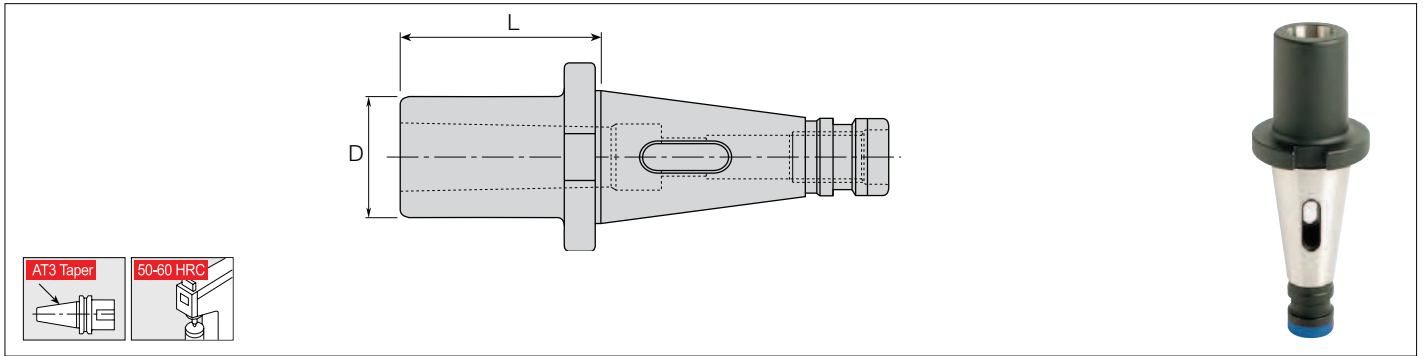
Tech. Code	C01 Euro	Description	D mm	D1 mm	L mm	L1 mm
C309041652	90,00	ISO40 PC16 L52	32	16	52	27
C309042252	90,00	ISO40 PC22 L52	40	22		31
C309042752	94,00	ISO40 PC27 L52	48	27		33
C309043252	104,00	ISO40 PC32 L52	58	32		38

- SCREWS Page C.69

- RINGS Page C.69

- TUBE Page C.68

CLTec REDUCTION MORSE TAPER SHANK FOR DRILLS DIN 2080 - C3130



Tech. Code	C01 Euro	Description	Morse	D mm	L mm
C31304CM250	88,00	ISO40 RP2 L50	2	32	50
C31304CM365	88,00	ISO40 RP3 L65	3	40	65
C31304CM495	92,00	ISO40 RP4 L95	4	48	95
C31305CM365	132,00	ISO50 RP3 L65	3	40	65
C31305CM465	137,00	ISO50 RP4 L65	4	48	

Link®

**ALWAYS ONE STEP
BEYOND**



LINK VARI

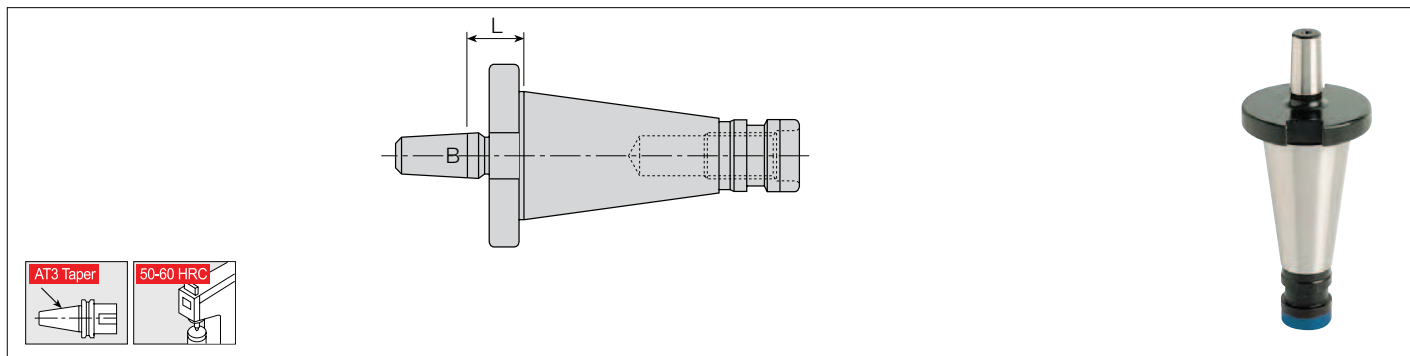
VARI endmills represent the state of the art of variable technology, offering best-in-class performances on stainless steel.



in action on
YouTube

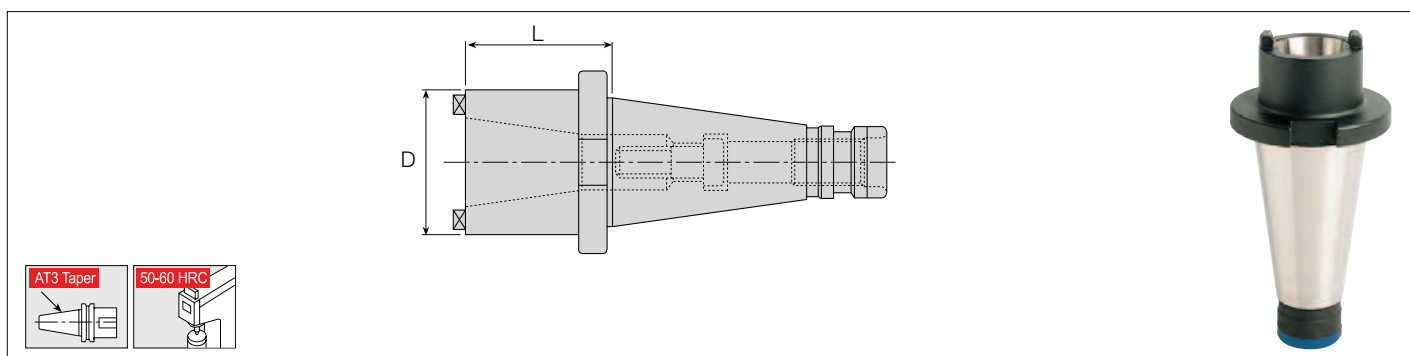
More info on our website www.linkspa.it or write an email to utensili@linkspa.it

CLTec DRILL CHUCKS ARBOR DIN 2080 - C3140



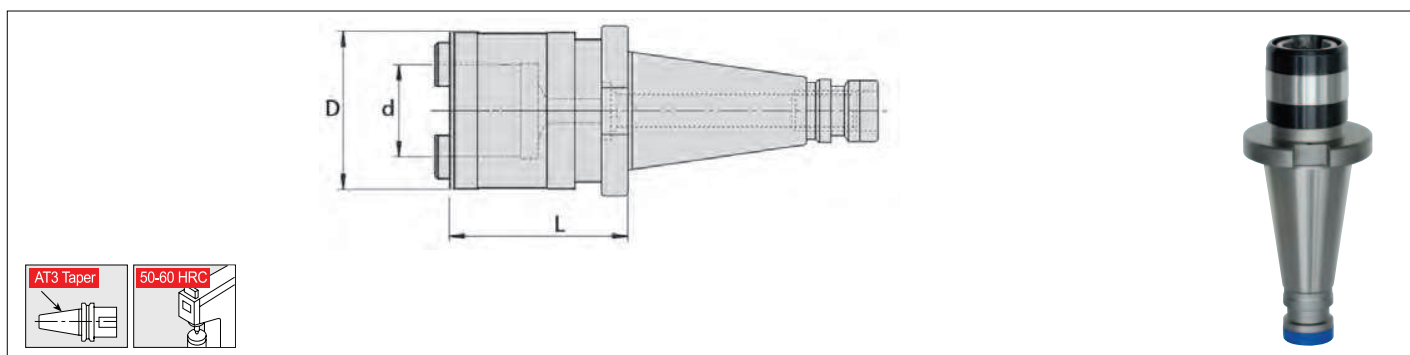
Tech. Code	C01 Euro	Description	B mm	L mm
C314041617	71,00	ISO40 AM B16 L17	16	17
C314041817	71,00	ISO40 AM B18 L17	18	
C314051620	120,00	ISO50 AM B16 L20	16	20

CLTec REDUCTION ISO / ISO CHUCKS DIN 2080 - C3150



Tech. Code	C01 Euro	Description	D mm	L mm
C315055040	160,00	ISO50 RI 50/40 L63	68	63

CLTec TAPPING CHUCKS AXIAL COMPENSATION DIN 2080 - C3160



Tech. Code	C01 Euro	Description	D mm	d mm	L mm	Capacity
C316041953	213,00	ISO40 MAS19C L53	38	19	53	M3 - M12
C316043177	261,00	ISO40 MAS31C L77	55	31	77	M6 - M20

- BUSH WITH CLUTCH Page C.64

- BUSH WITHOUT CLUTCH Page C.65