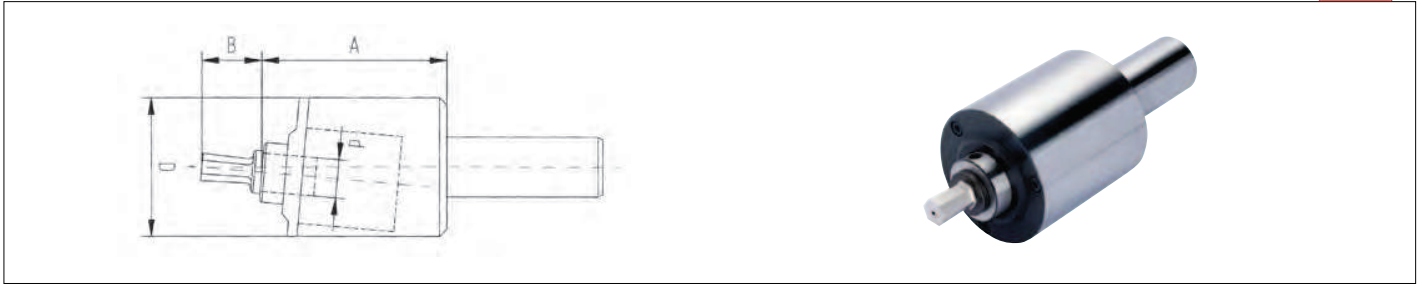


**CLtec** BROACHING HEADS FOR POLYGONALS HOLES AND SURFACE PROFILES

**NEW**



Tech. Code	B01 Euro	Cylindrical shank mm	Shank of the broach mm	Hexagonal slot capacity mm	Broaching depth mm	A x D mm	B mm
B9P10G12C25	600,00	25	12	1 ÷ 14	20 max	78 x 58	25
B9P10G16C32	717,00	32	16	1 ÷ 24	21 max	95 x 70	

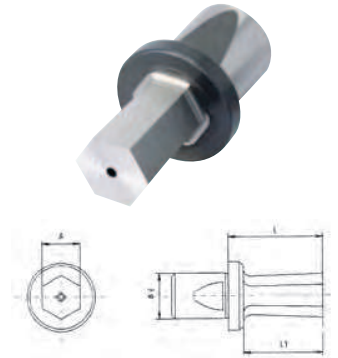
**CLtec** BROACHES FOR EXAGONAL HOLES - 1-14 - B9P60

**NEW**

ITEM: B9P60

Tech. Code	B02 Euro	A mm	d mm	L mm	l1 mm
B9P60E03	55,00	3	12	25	7
B9P60E04	55,00	4			9
B9P60E05	55,00	5			11
B9P60E06	56,00	6			13
B9P60E07	57,00	7			15
B9P60E08	57,00	8			17

Tech. Code	B02 Euro	A mm	d mm	L mm	l1 mm
B9P60E09	57,00	9	12	25	19
B9P60E10	57,00	10			21
B9P60E11	61,00	11			21
B9P60E12	61,00	12			21
B9P60E13	62,00	13			21
B9P60E14	62,00	14			21



**CLtec** BROACHES FOR EXAGONAL HOLES - 1-24 - B9P65

**NEW**

ITEM: B9P65

Tech. Code	B02 Euro	A mm	d mm	L mm	l1 mm
B9P65E03	56,00	3	16	25	7
B9P65E04	56,00	4			9
B9P65E05	57,00	5			11
B9P65E06	57,00	6			13
B9P65E07	57,00	7			15
B9P65E08	59,00	8			17
B9P65E09	59,00	9			19
B9P65E10	59,00	10			21

Tech. Code	B02 Euro	A mm	d mm	L mm	l1 mm
B9P65E11	61,00	11	16	25	21
B9P65E12	61,00	12			21
B9P65E13	62,00	13			21
B9P65E14	62,00	14			21
B9P65E17	67,00	17			21
B9P65E19	67,00	19			21
B9P65E22	74,00	22			21
B9P65E24	74,00	24			21

