



TUBULAR ULTRA-COR® 7 Plus: 10-HFM-183-UEP

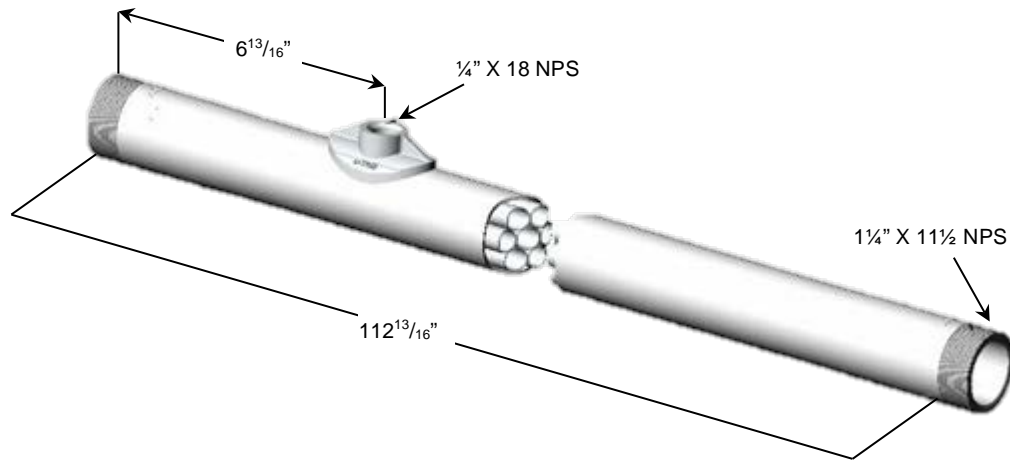
Ultrafiltration Multitubular Module for Electrocoat Paint

PRODUCT DESCRIPTION	
KSS Part Number:	0711942
Membrane Chemistry:	PVDF
Membrane Type:	HFM (positively charged)
Membrane Area:	7.2 ft ² (0.67 m ²)
Housing Construction:	PVC
Gasket:	EPDM

RECOMMENDED OPERATING LIMITS	
Maximum Inlet Pressure:	70 psi @ 120°F (4.8 bar @ 49°C)
Minimum Outlet Pressure:	5 psi (0.3 bar)
Maximum Operating Temperature:	120°F (49°C)
Allowable pH – Continuous Operation:	3 - 7 @ 130°F (54°C)
Allowable pH – Short Term Cleaning:	2 - 7 @ 130°F (54°C)
Maximum Feed Side Pressure Drop:	6.5 psi @ 120°F (0.4 bar @ 49°C)
Maximum Permeate Pressure:	5 psi (0.3 bar)

*Consult KSS Process Technology Group for specific applications.

PRODUCT DIMENSIONS



OPERATING GUIDELINES

Membrane Incompatibility¹

- **Aprotic Solvent** (e.g., Dimethyl Formamide, Dimethyl Acetamide, N-Methyl Pyrolidine, etc.)
- **Chlorinated Solvents** (e.g., Methylene Chloride, Chloroform, Carbon Tetrachloride, etc.)
- **Ketones** (e.g., Acetone, Diacetone Alcohol, etc.)
- **Silicones** or Silicone based Defoamers (e.g., Siloxane)

Service and Ongoing Technical Support

Koch Separation Solutions, Inc. has an experienced staff of professionals available to assist end-users and OEMs for optimization of existing systems and support the development of new applications. Along with the availability of supplemental technical bulletins, Koch Separation Solutions, Inc. also offers a complete line of KOCHKLEEN® cleaning chemicals.

filter-technics**Technical Customer Support**

T: +32 3 254 05 67

E: info@filter-technics.be

The information contained in this publication is believed to be accurate and reliable, but is not to be construed as implying any warranty or guarantee of performance. We assume no responsibility, obligation or liability for results obtained or damages incurred through the application of the information contained herein. Refer to Standard Terms and Conditions of Sale and Performance Warranty documentation for additional information

Koch Separation Solutions, Inc. 850 Main Street, Wilmington, MA 01887
Main: +1-978-694-7000 • Fax: +1-978-657-5208 • Toll Free: +1-888-677-5624

For complete contact information and listing of our global locations, visit www.kochseparation.com

©2020 Koch Separation Solutions, Inc. All rights reserved worldwide. For related trademark information, visit www.kochseparation.com/legal.