



8" KPAK[®] PLUS 70K Modules

High Productivity Zero Bypass Ultrafiltration Modules for Electrocoat Paint

PRODUCT DESCRIPTION

Membrane Chemistry:	PVDF
Membrane Type:	70K (Non-Charged)
Construction:	Spiral wound element with integrated PVC housing
Seal:	EPDM

NOMINAL SPECIFICATIONS

Part Number	Model	Feed Spacer mil (mm)	Membrane Area ft ² (m ²)
0750784	KPAK PLUS 8638-70K-LPP	30 (0.8) 320 (29.7)	320 (29.7)

OPERATING AND DESIGN INFORMATION*

Maximum Inlet Pressure at Temperature:	80.0 psi @ 110 °F (5.5 bar @ 43 °C)
Maximum Inlet Pressure at Temperature:	64.0 psi @ 120 °F (4.4 bar @ 49 °C)
Minimum Outlet Pressure:	10.0 psi (0.70 bar)
Maximum Operating Temperature at Pressure:	125 °F @ 56 psi (51.6 °C @ 3.9 bar)
Maximum Permeate Side Back Pressure:	5.0 psi (0.34 bar)
Maximum Feed Side Pressure Drop:	35.0 psi @ 125° F (2.4 bar @ 51.6 °C)
Allowable pH – Continuous Exposure:	2.0 – 10.0 pH @ 125 °F (51.6 °C)
Allowable pH – Short Term Exposure:	1.5 – 10.5 pH @ 125 °F (51.6 °C)

*Koch Separation Solutions, Inc. must review operating and cleaning conditions for all new plants and any changes to existing plants.

FEED FLOW VS. PRESSURE DROP (TYPICAL)*

Pressure Drop		Circulation Flow (30 mil)		Circulation Flow (46 mil)	
psi	bar	gpm	m ³ /hr	gpm	m ³ /hr
25	1.7	62	14.1	97	21.6
30	2.1	70	15.9	109	24.3
35	2.4	75	17.0	117	26.1

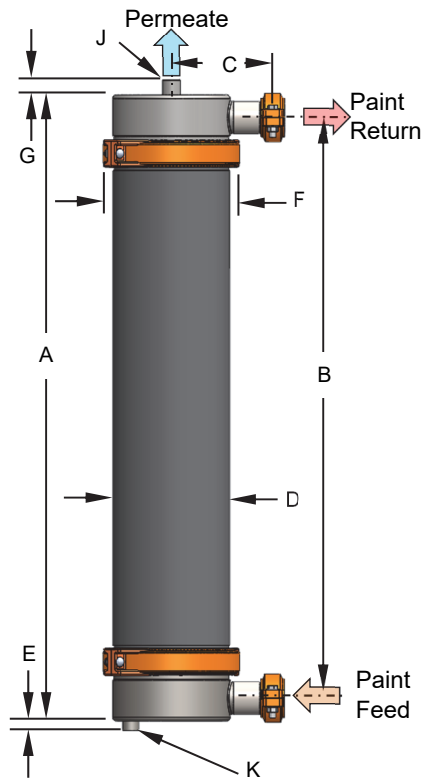
*Data are based on water @ 77 ° F and a specific gravity of 1.0. Circulation rates exhibit variances of + 15%.

NOMINAL DIMENSIONS

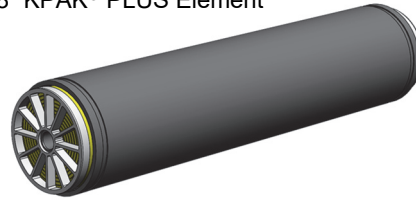
Element Length:	39.25 in (997.0 mm)
Element O.D.:	8.63 in (219.2 mm)
Permeate Tube I.D.:	1.3 in (33.0 mm)
Element Shipping Weight:	70 lbs (32 kg)
Element Working Weight:	90 lbs (40.82 kg)



8" KPAK® PLUS SPIRAL MODULE ASSEMBLY



8" KPAK® PLUS Element



Replacement 8" Seal Kit (EPDM)

Metric	0235043
Imperial 2" Por	0235043
Imperial 1 1/2" Port	0235045



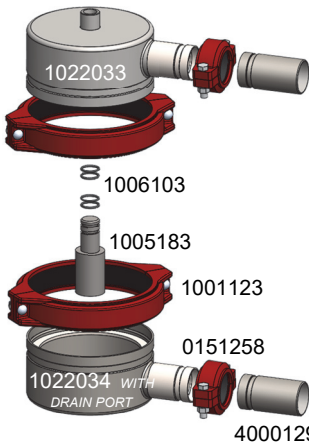
Cartridge Support Kit

Metric	N/A
Imperial	0235042 (Hardware included)

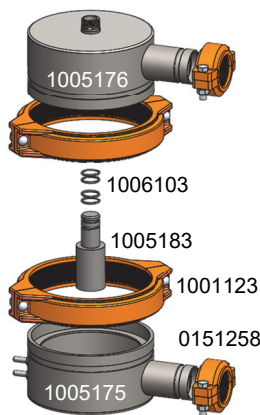


MODEL	A	B	C	D	E	F	G	J	K
Metric (mm)	1,165	1,086	190.5	219	28	264	28	1" MBSPT	G 1/2" FBSP
Imperial (inch)	45 7/8	42 3/4	7 1/2	8 5/8	N/A	10 3/8	1 1/4	1" MNPT	N/A

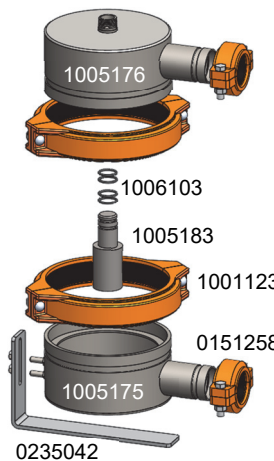
8" Metric Kit
50502022



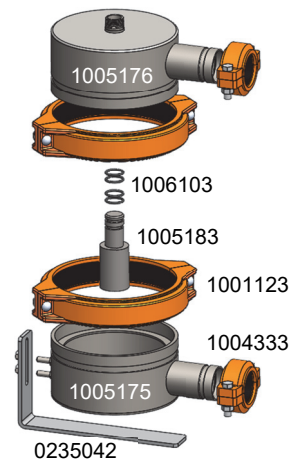
8" Imperial Systems Kit
0211860



8" Imperial 2" Port Retrofit Kit
0211851



8" Imperial 1 1/2" Port Retrofit Kit
0211858



The information contained in this publication is believed to be accurate and reliable, but is not to be construed as implying any warranty or guarantee of performance. We assume no responsibility, obligation or liability for results obtained or damages incurred through the application of the information contained herein. Refer to Standard Terms and Conditions of Sale and Performance Warranty documentation for additional information

Koch Separation Solutions, Inc. 850 Main Street, Wilmington, MA 01887
Main: +1-978-694-7000 • Fax: +1-978-657-5208 • Toll Free: +1-888-677-5624

For complete contact information and listing of our global locations, visit www.kochseparation.com

©2020 Koch Separation Solutions, Inc. All rights reserved worldwide. For related trademark information, visit www.kochseparation.com/legal.