

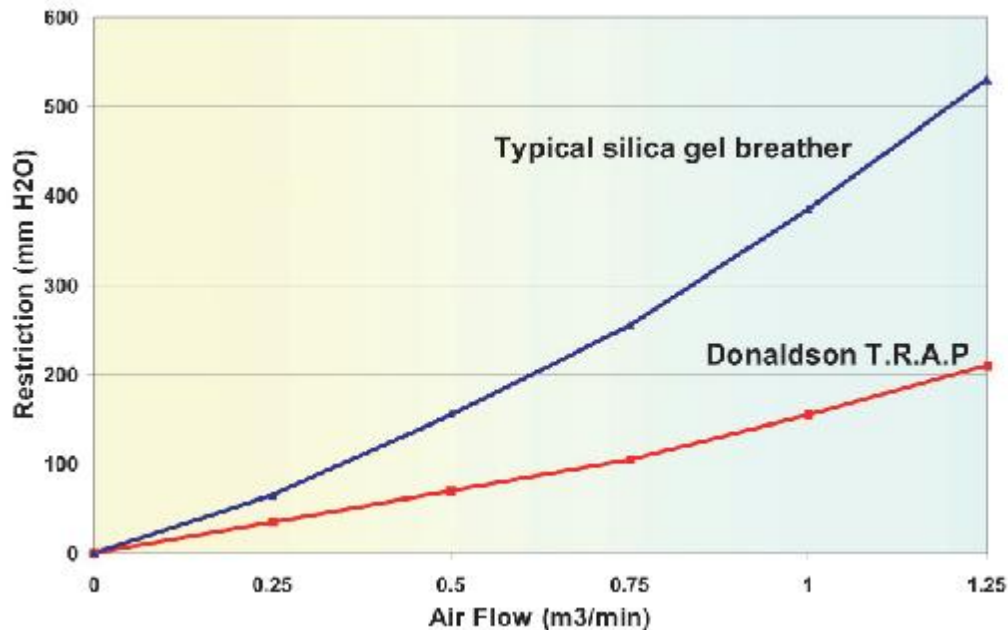
# Bulk Tank Breather & Moisture Prevention

(T.R.A.P - Thermally Reactive Advanced Protection)

## Features and benefits

- <math>3\mu</math> particle filter
- Easy installation (spin-on)
- Service indicator
- Air flow up to 500l/min
- Efficient moisture removal
  - Restricts microbial growth
  - Avoids loss of lubricity
  - Inhibits corrosion
- Safety valve
- Temperature range -40°C to 66°C

## Flow curve



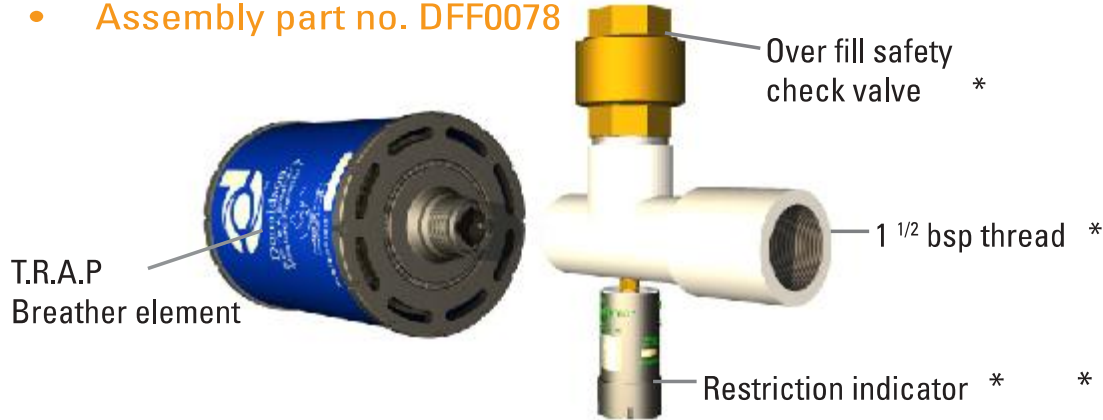
**filter-technics**

Filter-Technics bvba  
Adrian Van Roeyenstraat 28 - 2070 Zwijndrecht - Belgium  
Phone : +32 32540567 - Fax : -32 32540495  
info@filter-technics.be - www.filter-technics.be



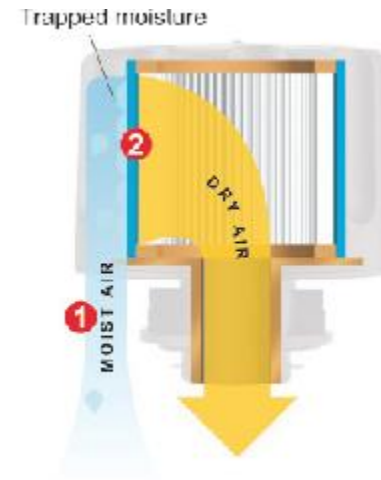
# Installation instructions

- 1 unit for tanks up to 40 000l
- For tanks larger than 40 000l use multiple units (if unsure contact a Donaldson representative)
- Use only with Donaldson adaptor shown below.
- Replacement element P923075
- Assembly part no. DFF0078



\* BREATHER ADAPTOR

# How it works



- 1 The circuit “breathes in” air containing moisture vapor.
- 2 The T.R.A.P. Breather strips moisture from the incoming air, allowing only dry air to enter the circuit.



- 3 During the “exhalation” cycle, The T.R. A.P. Breather allows unrestricted airflow outward.
- 4 The outflow of dry air picks up the moisture collected by the T.R.A.P. Breather during intake, and “blows it back out” – fully regenerating the T.R.A.P. Breather’s water-holding capacity.

Compare	T.R.A.P. Technology	Desiccant Filters
<b>Service life</b>	Extended Life (exhales moisture and refreshes its holding capacity on each cycle).	Shorter life (due to saturation of filtering material), leading to frequent replacement.
<b>Effectiveness</b>	Reacts instantly to conditions in the hydraulic circuit, creating a moisture barrier without impeding airflow.	Requires extended exposure to the air stream before absorption begins. Restricts airflow and increases pressure.
<b>Maintenance costs</b>	Reduced man-hours.	Increased man-hours.
<b>Technology</b>	Thermally reactive barrier that removes moisture at relative humidity levels as low as 15%.	Absorbent filtering material that loses holding capacity with each cycle. Only starts removing moisture at relative humidity at 80%.
<b>Filtration</b>	Superior moisture blocking and particulate filtration down to 3 microns at 97%.	Less effective moisture blocking and particulate filtration.
<b>Other Advantages</b>	Will not freeze in winter.	Subject to freezing in winter conditions.

**filter-technics**

Filter-Technics bvba  
 Adriaan Van Roeyenstraat 28-2070 Zwijndrecht - Belgium  
 Phone : +32 32540567 - Fax : -32 32540495  
 info@filter-technics.be - www.filter-technics.be

