

# 3202 - Dumper laadvermogen 1ton - Wacker Neuson 1001



## OPERATING-DATA 1001 (High-tipping)

<b>Payload</b>	1000 kg
<b>Tare weight</b>	1215 kg
<b>Skip capacity levelled</b>	415 l
<b>Skip capacity stacked high</b>	525 l
<b>Skip capacity Water levelling</b>	275 l



## ENGINE

<b>Make/Type</b>	YANMAR 3TNV76
<b>Model</b>	watercooled 3-cylinder

<b>Power SFib (Iso 3046/1)</b>	17 kW (23.1 PS)
<b>Displacement</b>	1.116 cm <sup>3</sup>
<b>Operating speed</b>	3000 min <sup>-1</sup>
<b>Exhaust emissions</b>	ac. 97/68/EU, 3A



## DRIVE CHARACTERISTICS

<b>Drive speed</b>	0-16 kph
<b>Steering angle</b>	+/- 33°
<b>Oscillation</b>	+/-15°
<b>Turning radius outside</b>	3.200 mm
<b>Gradeability</b>	45 %



## DRIVE

<b>Drive</b>	4WD hydrostatic, TWIN-I
<b>Steering</b>	hydrostatic articulat
<b>Tyres</b>	10.00/75-15 Tractor profile
<b>Service brake</b>	hydrostatic
<b>Parking brake</b>	*spring brake / disc Operation also via f



## HYDRAULICS SYSTEM

<b>Drive pump</b>	Axial piston pump
<b>Flow rate</b>	84 l/min
<b>Operating pressure</b>	360 bar
<b>Work pump</b>	Gear pump
<b>Flow rate</b>	25 l/min
<b>Operating pressure</b>	170 bar



## TANK CAPACITY

<b>Diesel tank</b>	15 l
<b>Hydraulic oil tank</b>	20 l



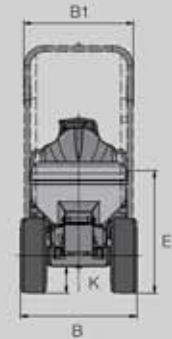
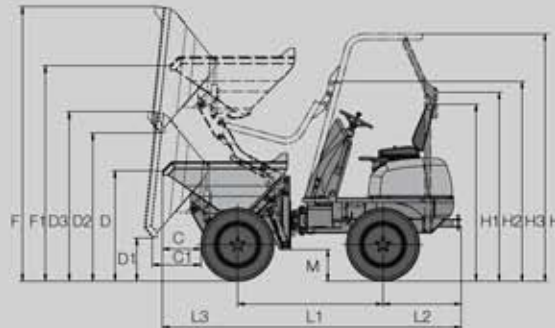
## ELECTRICS

<b>Voltage</b>	12 V
<b>Battery</b>	45 Ah
<b>Alternator</b>	40 A
<b>Starter</b>	1.1 kW



## NOISE LEVELS

<b>Noise LWA (acc. 2000/14/EC)</b>	101 dB(A)
------------------------------------	-----------



## DIMENSIONS 1001

<b>B</b>	1180 mm
<b>B1</b>	1130 mm
<b>B2</b>	-
<b>C</b>	385 mm
<b>C1</b>	510 mm
<b>D</b>	1160 mm
<b>D1</b>	465 mm
<b>D2</b>	1560 mm
<b>D3</b>	1770 mm
<b>E</b>	1230 mm
<b>F</b>	2860 mm
<b>F1</b>	2250 mm
<b>G</b>	-
<b>H</b>	2580 mm
<b>H1</b>	1850 mm
<b>H2</b>	1960 mm
<b>H3</b>	2080 mm
<b>J</b>	-
<b>K</b>	270 mm
<b>L</b>	3080 mm
<b>L1</b>	1500 mm
<b>L2</b>	810 mm
<b>L3</b>	770 mm
<b>M</b>	327 mm
<b>P</b>	-
<b>V</b>	-
<b>W</b>	-
<b>X</b>	-
<b>Y</b>	-
<b>Z</b>	-