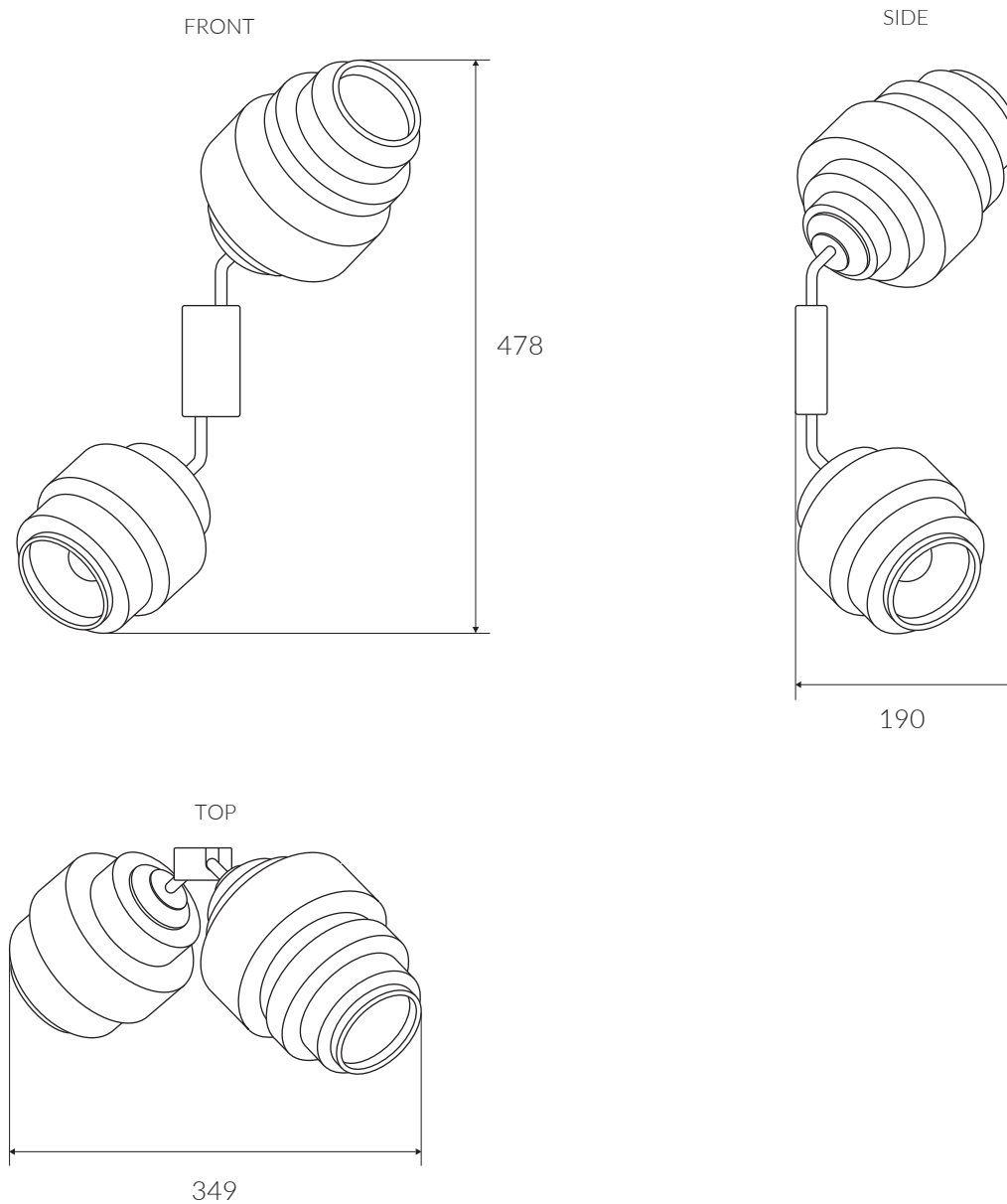


# EDGAR WALL LAMP - EDGAR.W.2



**Materials:**

Lamp in brushed brass and opal mouth blown glass

**Weight:**

+/- 2.9 kg

**Bulb type:**

LED, E27, 380 Lm, 5.5W, 2000 -2700 K

**Dimmable:**

Yes

**Voltage:**

220V - 240V

