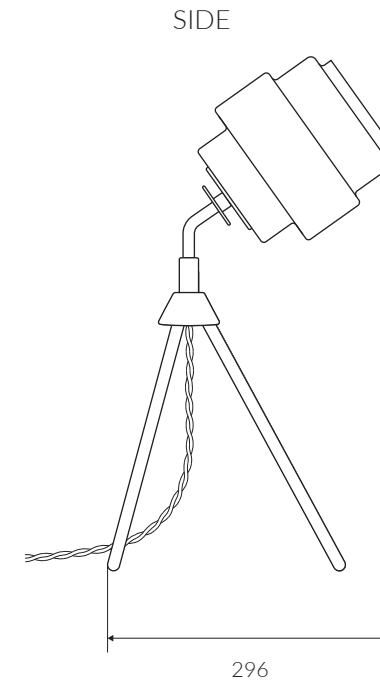
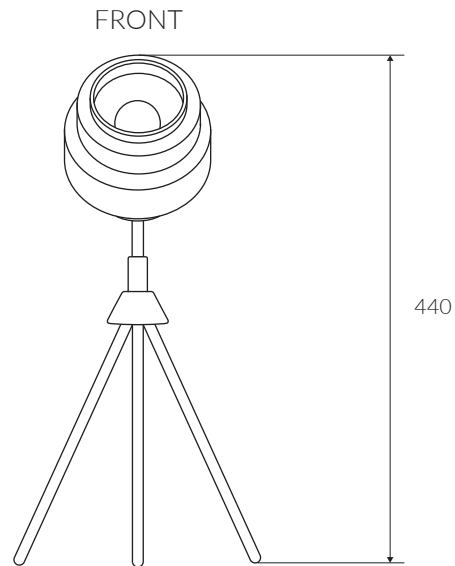


EDGAR TABLE LAMP - EDGAR.T.1



Materials:

Lamp in brushed brass and opal mouth blown glass

Power cable:

250 cm with switch

Weight:

+/- 1.9 kg

Bulb type:

LED, E27, 80 Lm, 1W, 2700 K

Dimmable:

No

Voltage:

220V - 240V

