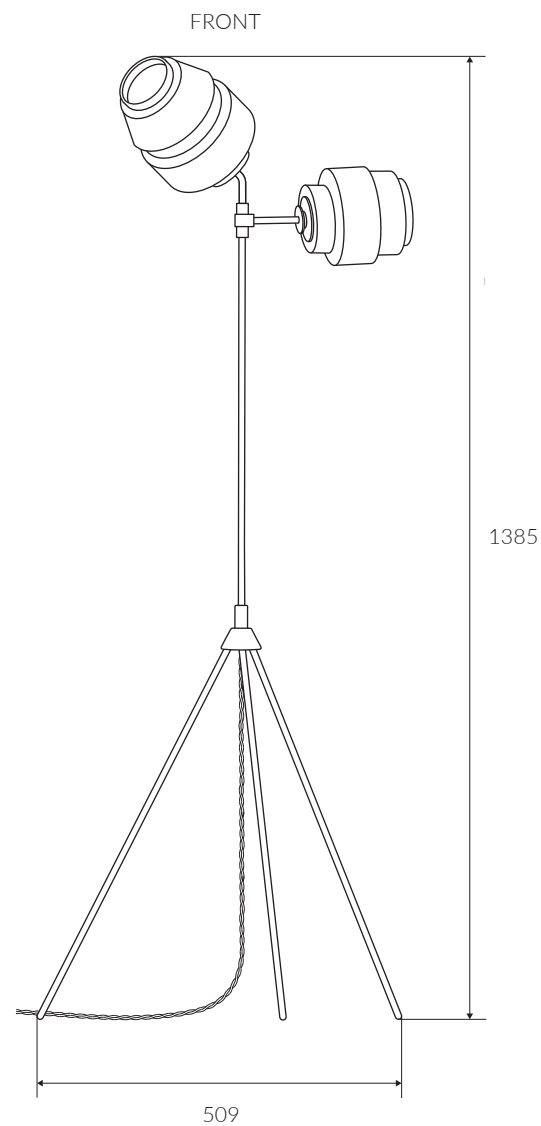
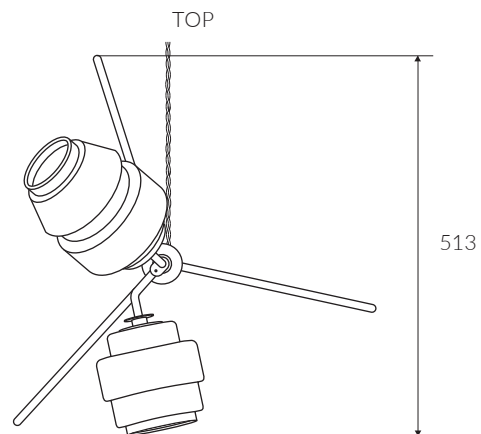


EDGAR FLOOR LAMP - EDGAR.F.2



Materials:

Lamp in brushed brass and opal mouth blown glass

Weight:

+/- 2.9 kg

Bulb type:

LED, E27, 380 Lm, 5.5W, 2000 -2700 K

Dimmable:

Yes

Voltage:

220V - 240V

