



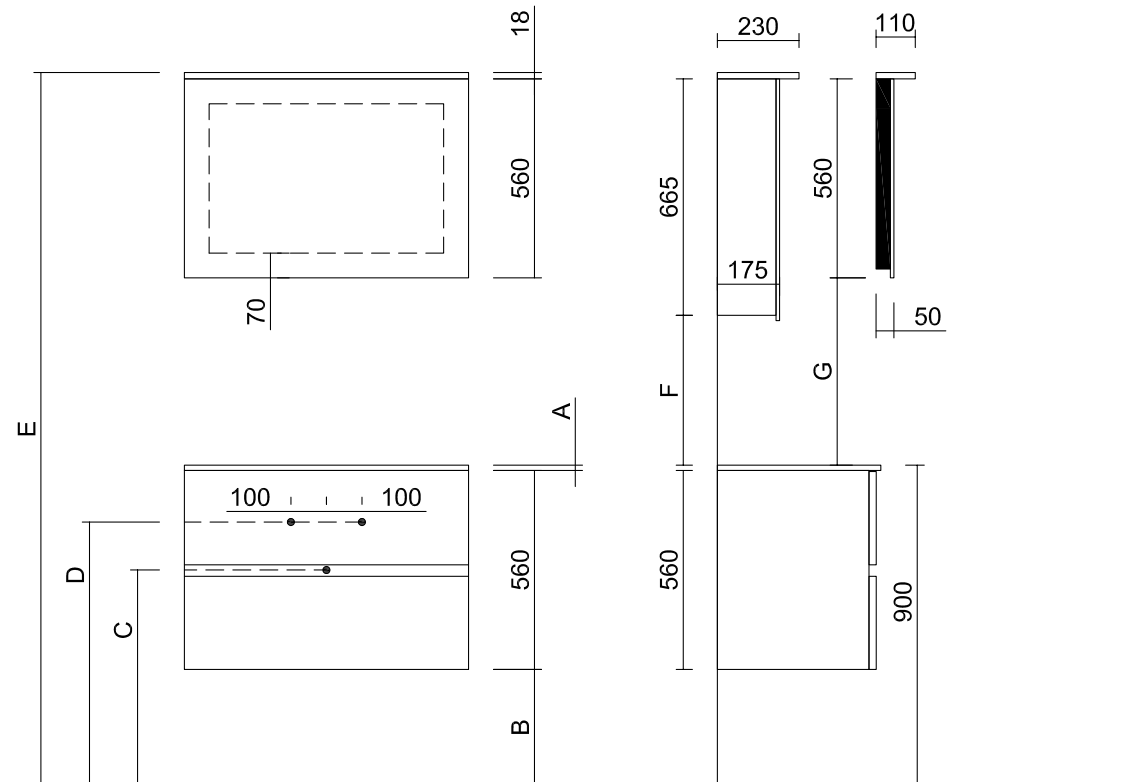
Alkē.be

SQUARE
SPACE LINE
SLIM LINE

TECHNICAL INFORMATION

PLAY-IT • SQUARE SPACE LINE

INSTALLATION DRAWING • FRONT VIEW • SIDE VIEW

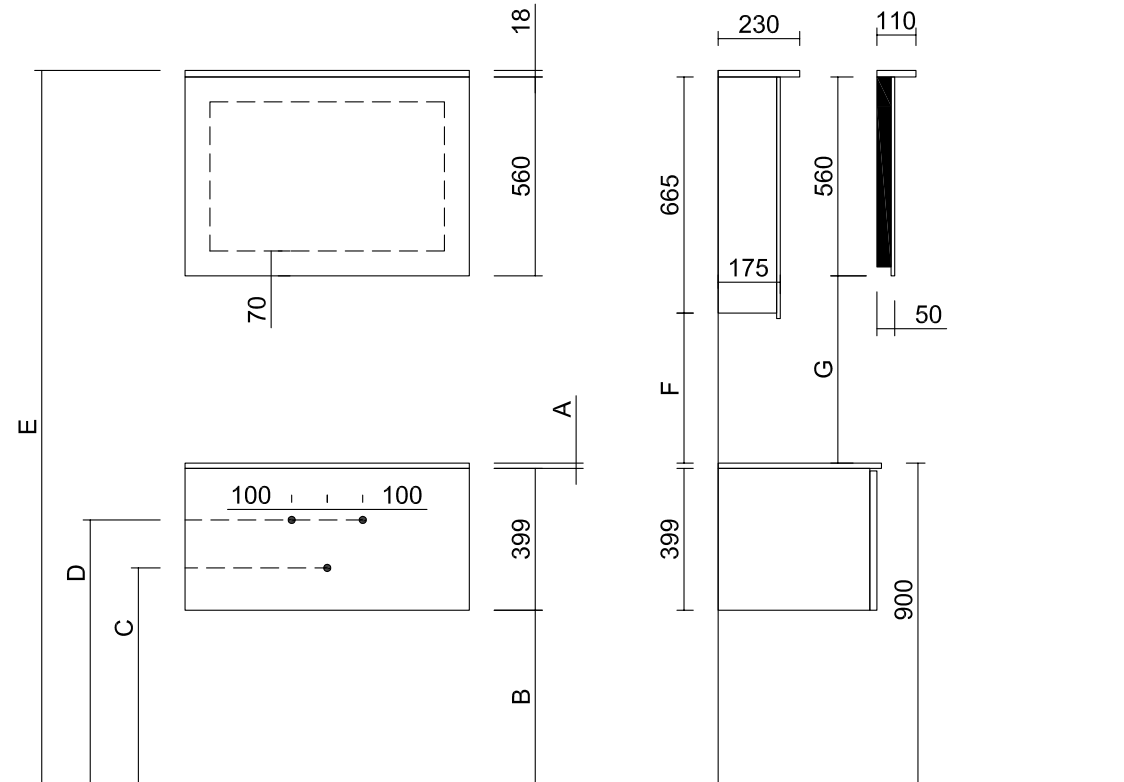


DIMENSIONS • PLAY-IT • SQUARE SPACE LINE

	A	B	C	D	E	F	G
C2	15mm	325mm	605mm	740mm	2005mm	422mm	552mm
C4	50mm	290mm	630mm	715mm	1970mm	387mm	517mm
C5	110mm	230mm	650mm	700mm	1910mm	327mm	457mm
M8 / M8M	15mm	325mm	605mm	740mm	2005mm	422mm	552mm

PLAY-IT • SQUARE SLIM LINE

INSTALLATION DRAWING • FRONT VIEW • SIDE VIEW



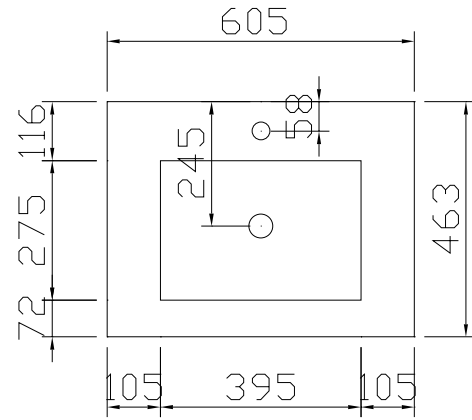
DIMENSIONS • PLAY-IT • SQUARE SLIM LINE

	A	B	C	D	E	F	G
C2	15mm	486mm	650mm	740mm	2005mm	422mm	552mm
C4	50mm	451mm	685mm	715mm	1970mm	387mm	517mm
C5	110mm	486mm	650mm	740mm	2005mm	422mm	552mm
M8 / M8M	15mm	458mm	670mm	740mm	2005mm	422mm	552mm

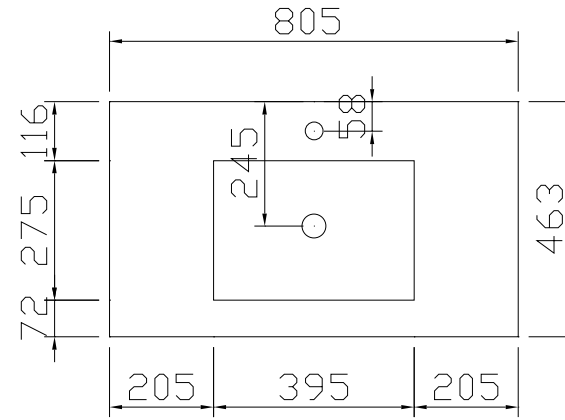
SQUARE SLIM LINE • SPACE LINE

TOP VIEW WASH BASINS • PORCELAIN C2 • 1 CENTRAL WASH BASIN

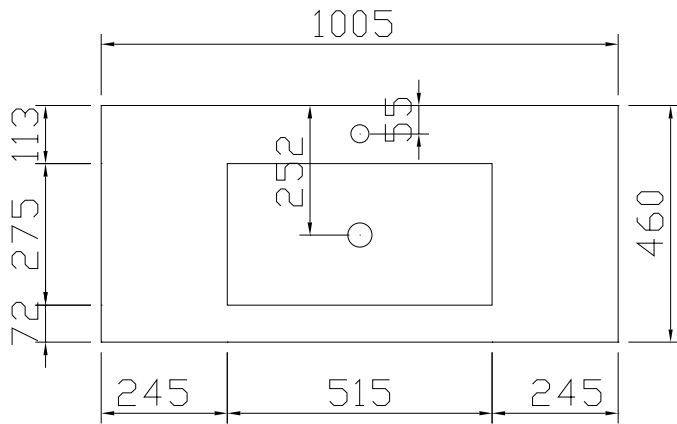
60 • C2



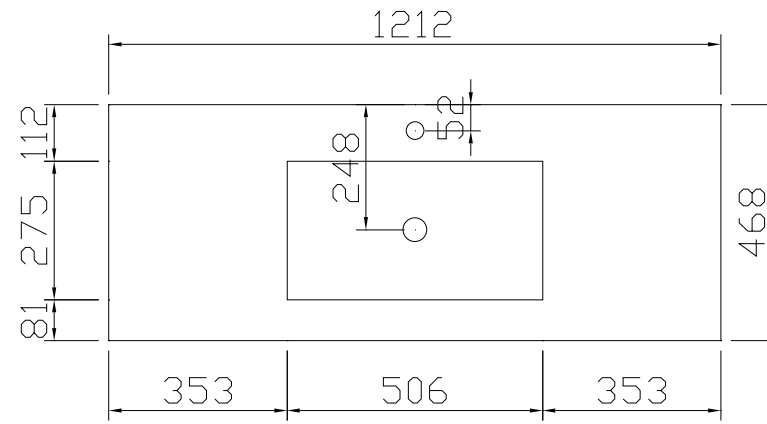
80 • C2



100 • C2



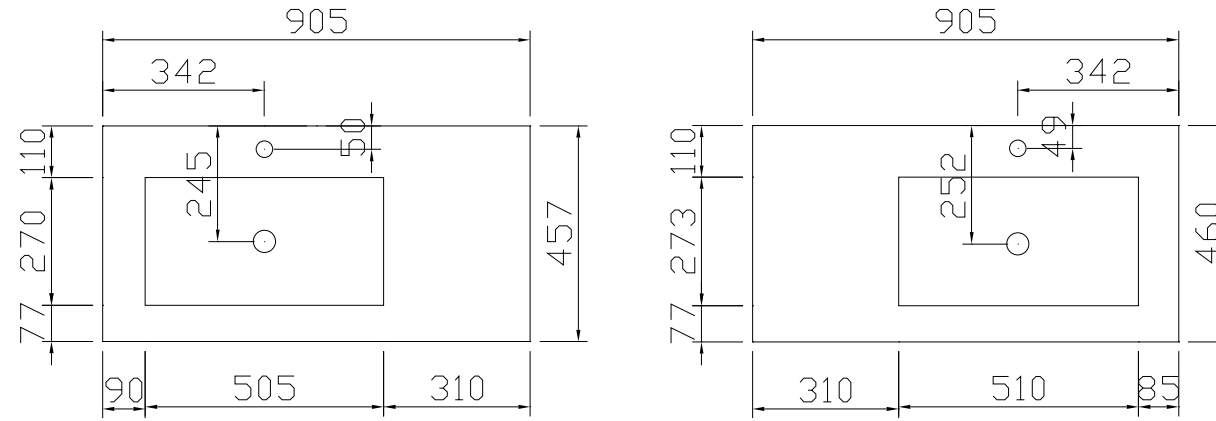
120 • C2



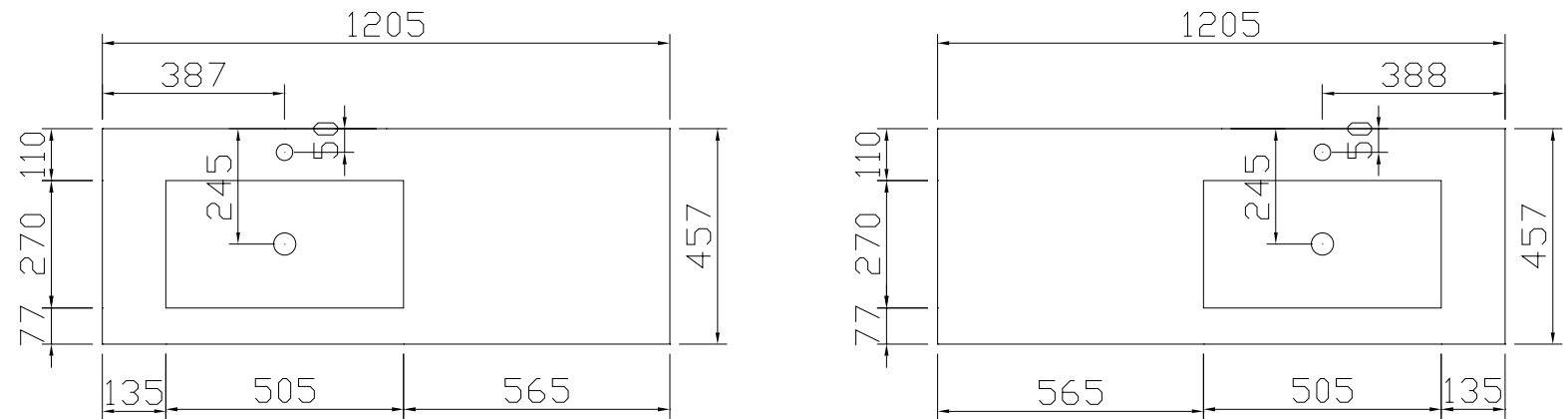
SQUARE SLIM LINE • SPACE LINE

TOP VIEW WASH BASINS • PORCELAIN C2 • 1 DECENTRALIZED WASH BASIN

90 • C2



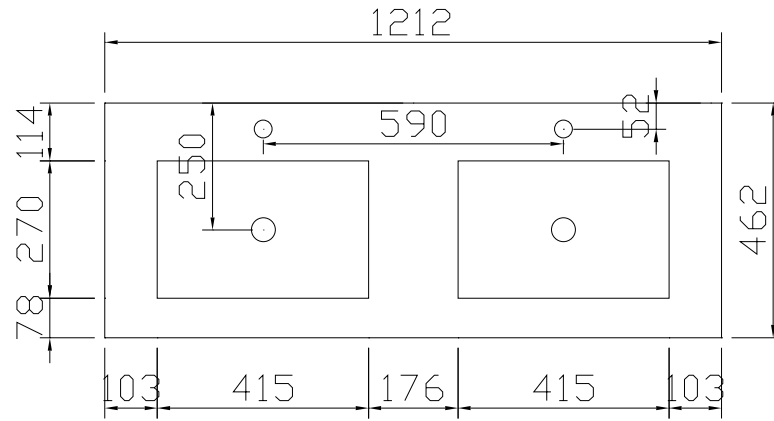
120 • C2



SQUARE SLIM LINE • SPACE LINE

TOP VIEW WASH BASINS • PORCELAIN C2 • 2 WASH BASINS

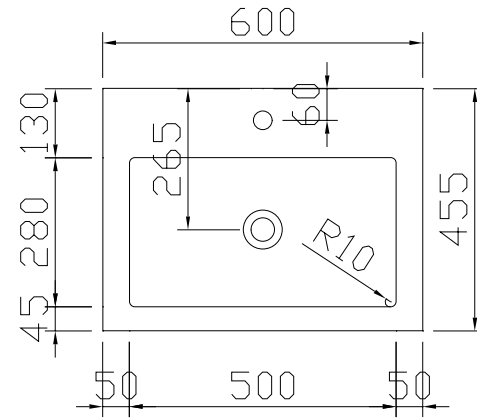
120 • C2



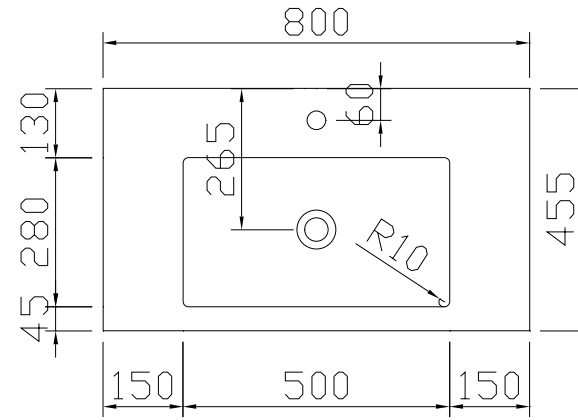
SQUARE SLIM LINE • SPACE LINE

TOP VIEW WASH BASINS • PORCELAIN C4 • 1 CENTRAL WASH BASIN

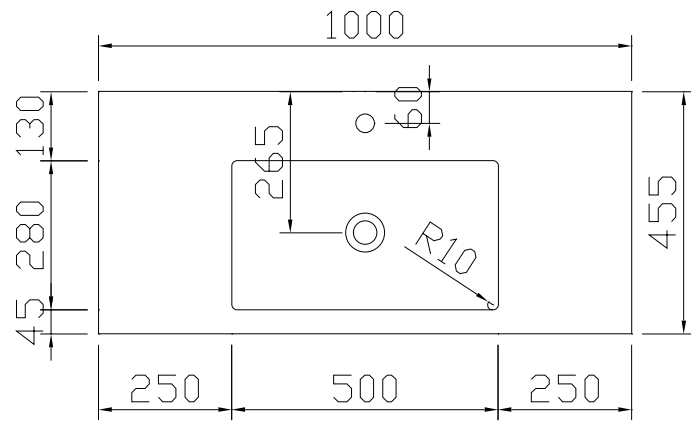
60 • C4



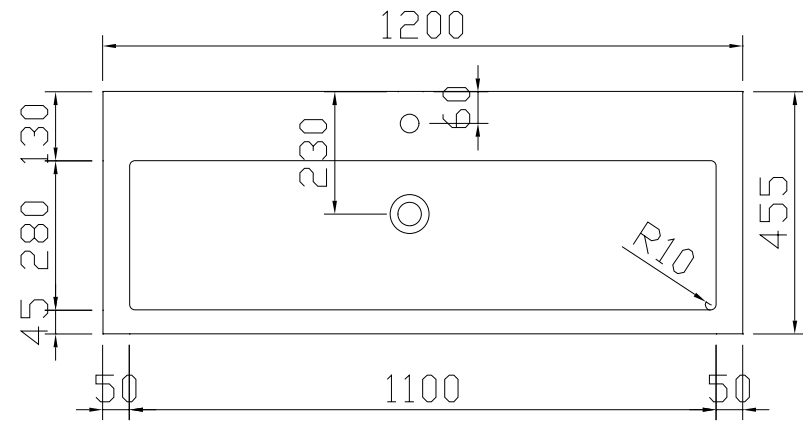
80 • C4



100 • C4



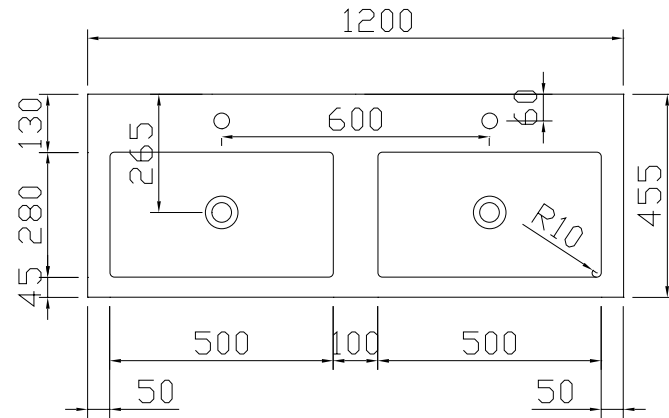
120 • C4



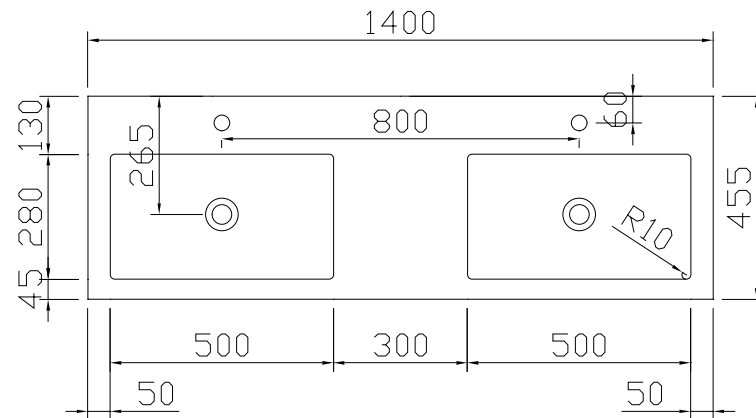
SQUARE SLIM LINE • SPACE LINE

TOP VIEW WASH BASINS • PORCELAIN C4 • 2 WASH BASINS

120 • C4



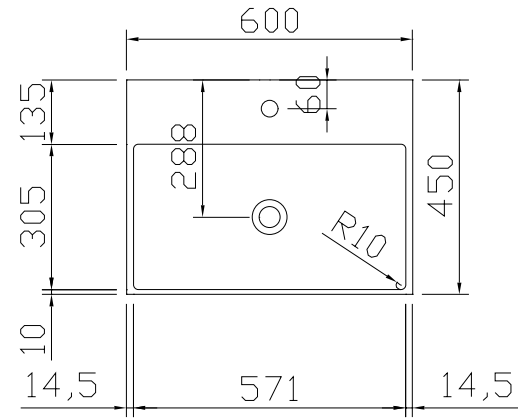
140 • C4



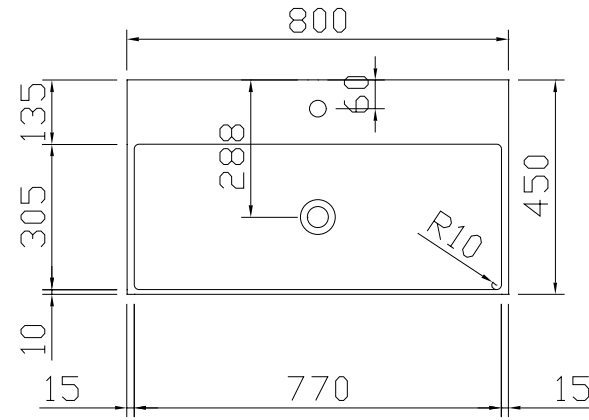
SQUARE SLIM LINE • SPACE LINE

TOP VIEW WASH BASINS • PORCELAIN C5 • 1 CENTRAL WASH BASIN

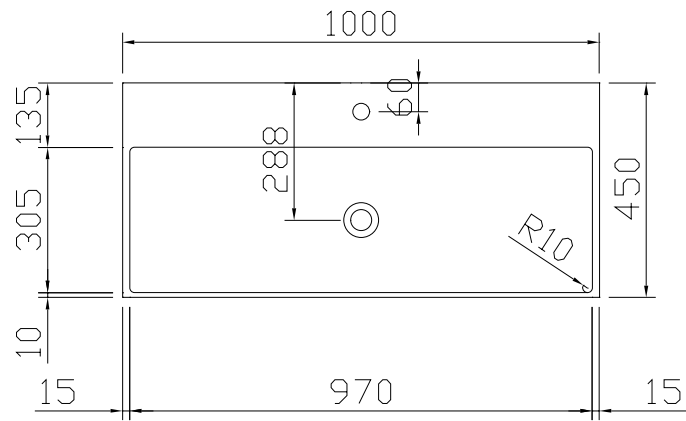
60 • C5



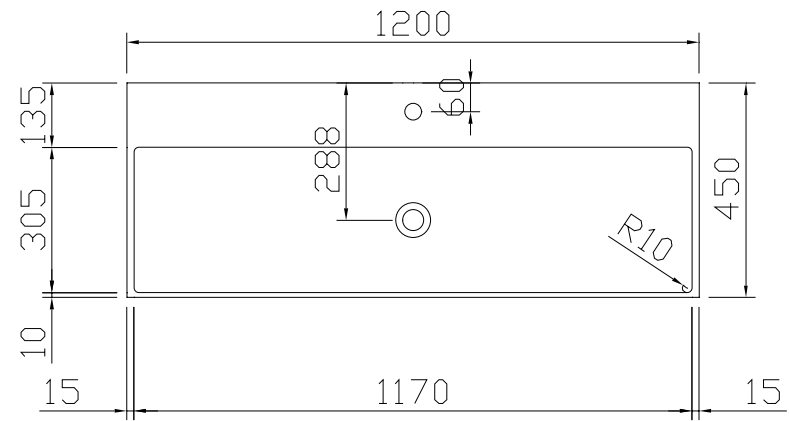
80 • C5



100 • C5



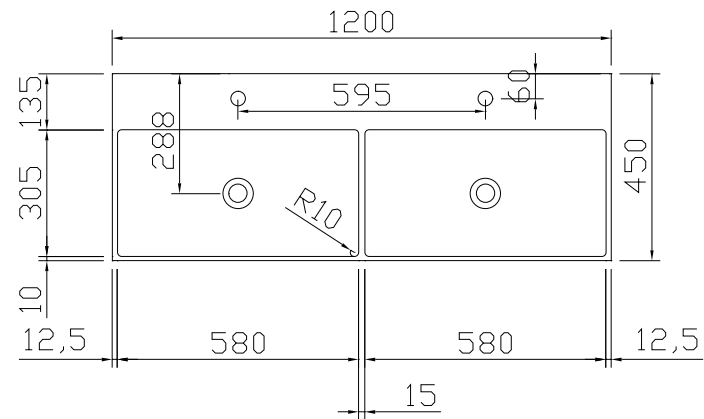
120 • C5



SQUARE SLIM LINE • SPACE LINE

TOP VIEW WASH BASINS • PORCELAIN C5 • 2 WASH BASINS

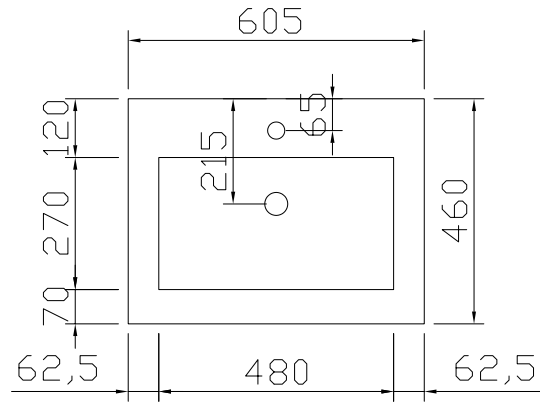
120 • C5



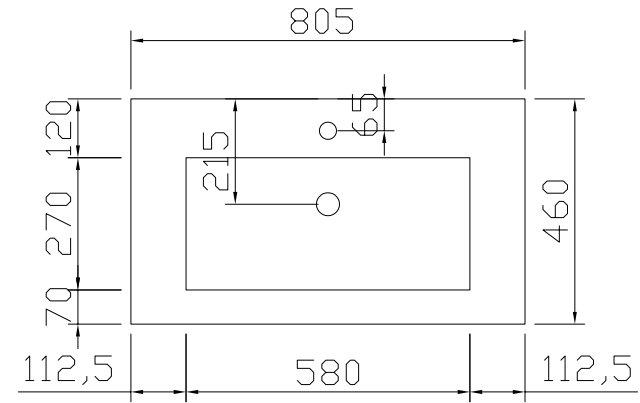
SQUARE SLIM LINE • SPACE LINE

TOP VIEW WASH BASINS • M8 • 1 CENTRAL WASH BASIN

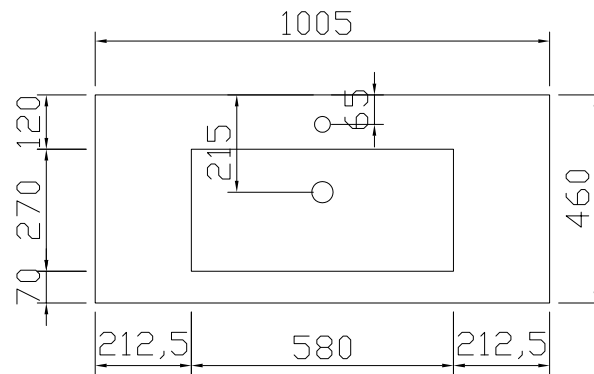
60 • M8



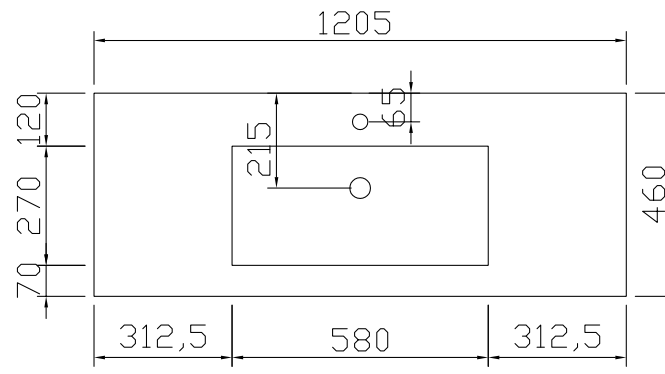
80 • M8



100 • M8



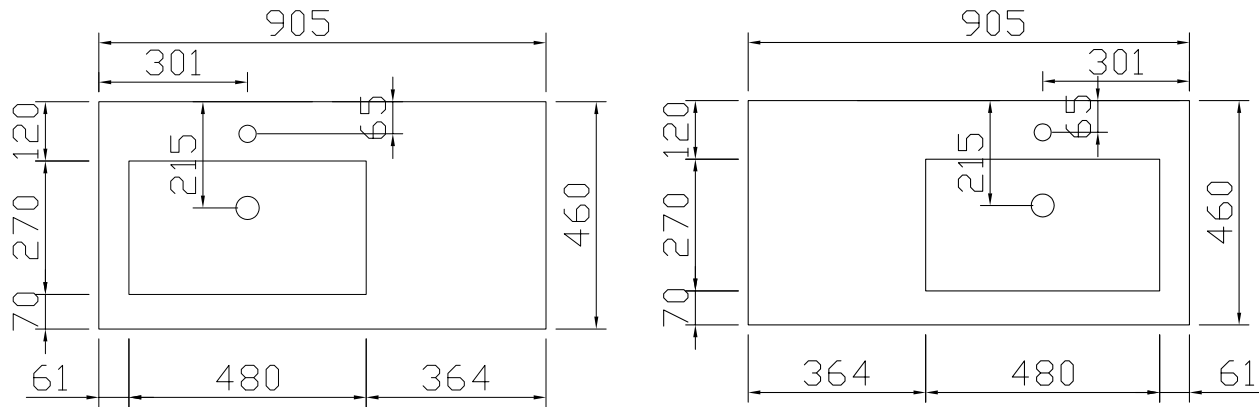
120 • M8



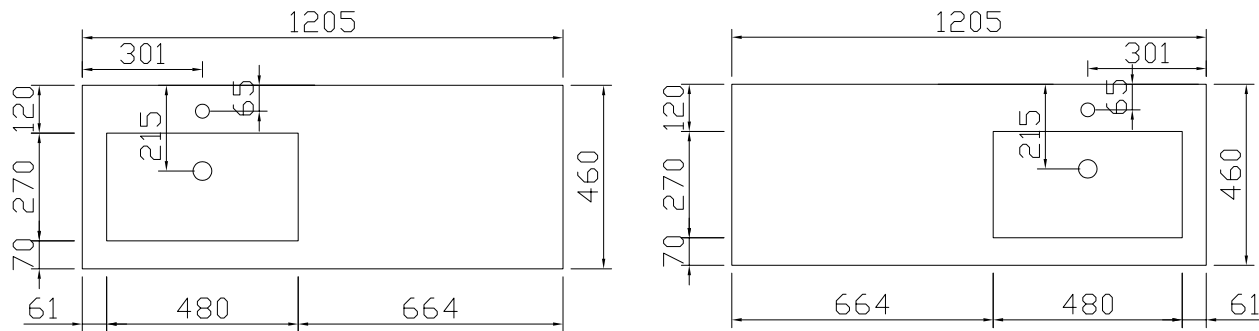
SQUARE SLIM LINE • SPACE LINE

TOP VIEW WASH BASINS • M8 • 1 DECENTRALIZED WASH BASIN

90 • M8



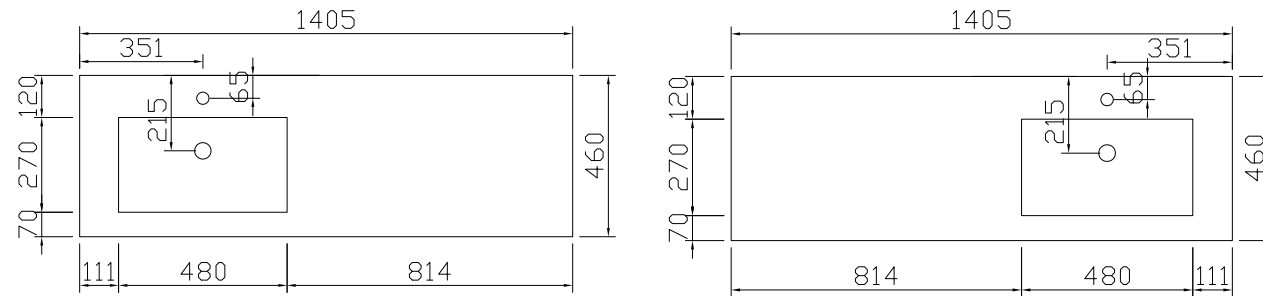
120 • M8



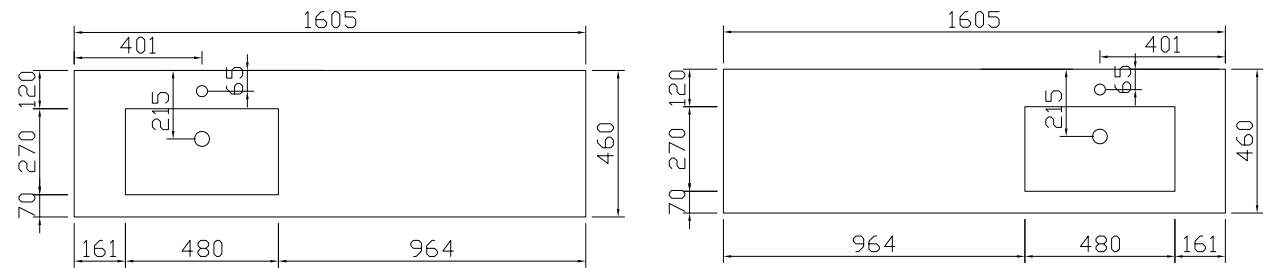
SQUARE SLIM LINE • SPACE LINE

TOP VIEW WASH BASINS • M8 • 1 DECENTRALIZED WASH BASIN

140 • M8



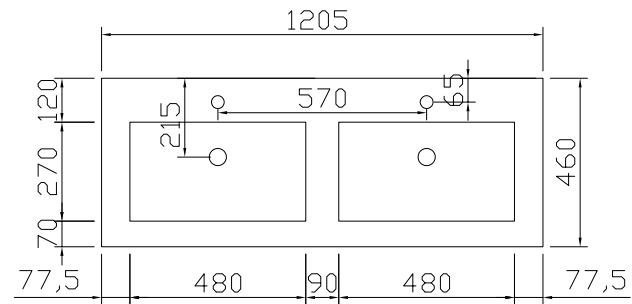
160 • M8



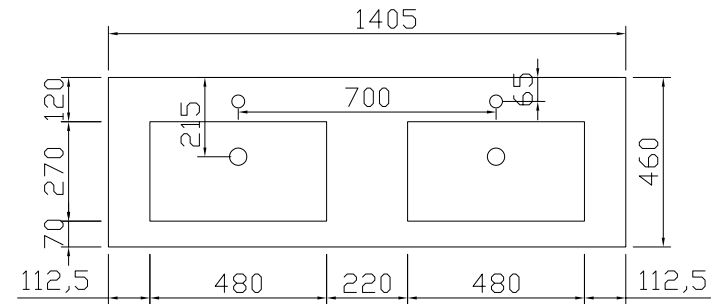
SQUARE SLIM LINE • SPACE LINE

TOP VIEW WASH BASINS • M8 • 2 WASH BASINS

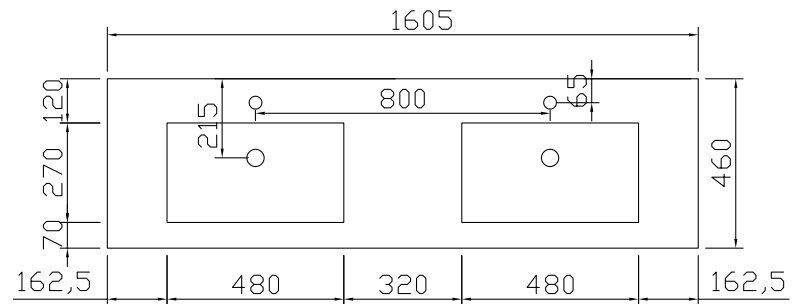
120 • M8



140 • M8



160 • M8



MATERIALS

WASHBASIN

MINERAL MARBLE

Mineral marble is a seamlessly finished conglomerate of high-quality minerals, dolomite and polyester resins. The glossy white gelcoat surface finish protects the basin from sunlight and wear. This type of wash basin is very hygienic and easy to clean with water and soap. Small scratches or scrapes can be removed.

For more product information and maintenance tips, please visit: www.alke.be.

TOP SOLID

Top solid is produced in the same way as mineral marble. In this case, however, the surface finish consists of a matt white gelcoat. This type of wash basin therefore has comparable product properties as those of mineral marble.

Small scratches or scrapes can not be removed in this material.

Top solid also exists in an upgrade version "solid surface", available on request.

For more product information and maintenance tips, please visit: www.alke.be.

CERAMIC

Ceramic is a seamlessly finished and 100% natural product made from ceramic clay fired with a glaze coating. The glossy white finish protects the wash basin from intensive use. Ceramic washbasin tops have a long life, are colourfast, heat- and scratch-resistant and very low maintenance. Due to the nature of the production process, ceramic washbasins are subject to small dimensional tolerances. The use of abrasives is not recommended.

For more product information and maintenance tips, please visit: www.alke.be.

BASE UNIT AND SECTIONAL CABINET

MELAMINE

The front and carcass material is made from the compression of layers of paper impregnated with melamine resin on an MDF or particle board based layer. A process involving pressure and heat causes the irreversible curing of the impregnated layers and the bonding with the base panel material.

The pressing results in a scratch-, impact- and abrasion-resistant surface that is optically almost seamless.

For more product information and maintenance tips, please visit: www.alke.be.

Alke.be
| bath furniture

MORE INFO?
WWW.ALKE.BE

Alke bathroom furniture
Industrielaan 55 | B-8930 Menen | Belgium
T +32 56 52 13 50 | F +32 56 52 13 51
info@alke.be | www.alke.be

Alke reserves the right to modify the collection according to new developments
Subject to typographical errors | Colours may vary - March 2019 - Prices VAT not included